

SERIAL NO./ N° DE SÉRIE



VERMONT CASTINGSTM_{MC}

VERMONT CASTINGS VANGUARD^{TM/MC} 4-BURNER BARBECUE

ASSEMBLY MANUAL

REGISTER YOUR NEW GRILL AT
WWW.VERMONTCASTINGSBBQ.COM

Before you begin >>>



ENHANCE YOUR ASSEMBLY WITH A
QUICKER & EASIER ASSEMBLY EXPERIENCE
DOWNLOAD THE FREE APP



LAST UPDATE: NOV 09, 2018



WELCOME TO VERMONT CASTINGS

Founded in 1975, Vermont Castings has always stood for uncompromising commitment to quality craftsmanship and meaningful design. Our wood stoves and hearth products deliver more than heat – they create a warmth that unites.

Lit with purpose, our line of Vermont Castings barbecues are designed to deliver your best grilling experience. With a durable, robust construction built to last through the years, thoughtfully constructed components that stand up to grilling in any season, and a simplified system to make maintaining your investment easier, Vermont Castings continues the promise of unwavering quality and purposeful design.

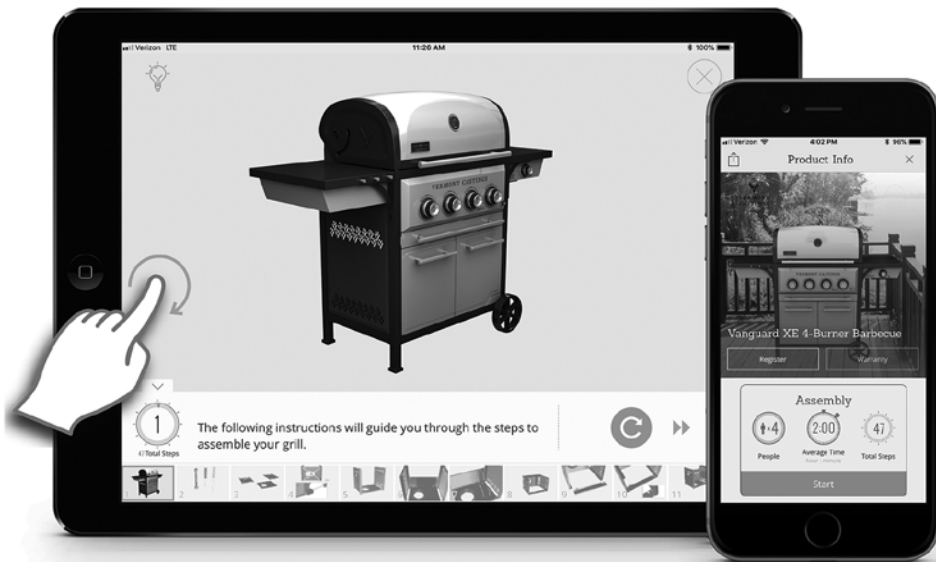
Vermont Castings barbecues do more than just grill. They let you create enduring connections around food and flame.

CONTACT US: 1-844-586-4660
WWW.VERMONTCASTINGSBBQ.COM

PLEASE KEEP THIS MANUAL WITH YOUR
BARBECUE FOR FUTURE REFERENCE

IMPORTANT

Easy step-by-step
interactive 3D instructions
for this product can be found in



BILT. INTELLIGENT INSTRUCTIONS

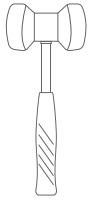


Available on most iOS and Android Devices

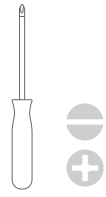
DOWNLOAD THE **FREE** APP



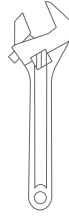
TOOLS REQUIRED



Mallet



Screwdrivers



Wrench



4 People

HARDWARE PACK

PART NO.	DESCRIPTION	PHOTO	QTY
1	¼"-20UNC x 38 Screw		6
2	¼"-20UNC x 13 Screw		29
3	NO.10-24UNC x 13 Screw		33
4	ST4.8 x 10 Tapping Screw		2
5	Wheel Bushing		3
6	Pin, Wheel		1
7	Spacer, Door Handle		4
8	Pin, Main Burner		4
9	Wing Nut, Side Burner		1
10	NO.10-24UNC x 18 Screw		4

SYMBOLS



HEAVIEST END



SYMBOLS: THESE SYMBOLS ARE USED THROUGHOUT THIS ASSEMBLY MANUAL TO EMPHASIZE CRITICAL AND IMPORTANT PART INFORMATION.

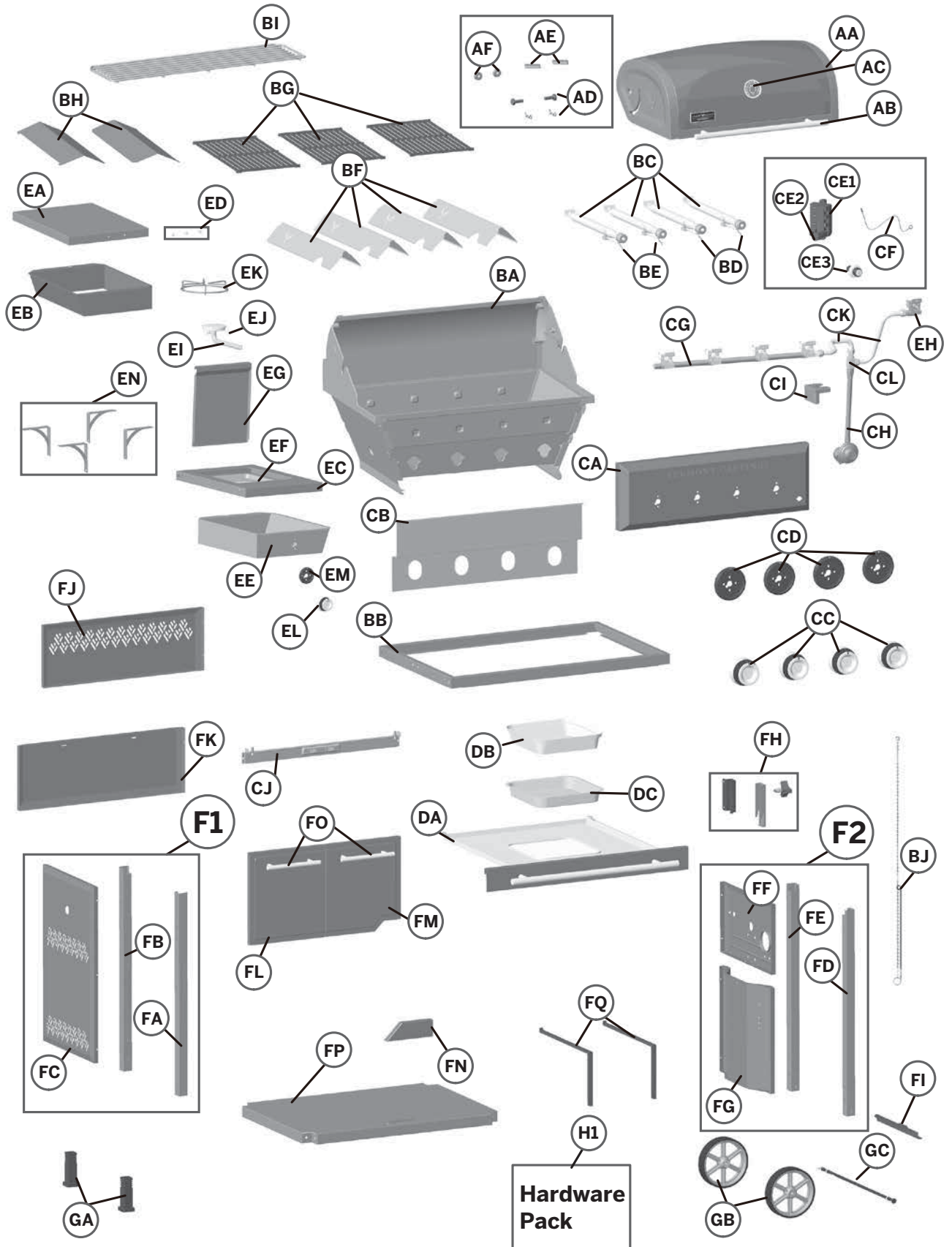
PARTS

ITEM NO.	QTY.	DESCRIPTION	PART NO.
AA	1	Top Lid Assembly	G540-1800-02
AB	1	Lid Handle	G540-0017-01
AC	1	Thermometer	G366-0035-01
AD	2	Top Lid screw & hitch pin	G539-0024-02
AE	2	Lid Bumper, Top Lid	G366-0050-01
AF	2	Lid Bumper, Burner Box	G527-0002-02
BA	1	Burner Box Assembly	G540-1700-01
BB	1	Top Frame	G540-0100-01
BC	4	Main Burners	G366-0400-01
BD	2	Electrode Set 600mm, Main Burner	G366-0030-01
BE	4	Electrode Set 800mm, Main Burner	G539-0028-01
BF	4	Heat plate	G366-0031-01
BG	3	Cooking Grate, Main Burner	G366-0032-01
BH	2	Heat Shield, Burner Box	G366-0048-01
BI	1	Warming Rack	G540-0015-01
BJ	1	Match Holder	G570-0035-01
CA	1	Control Panel	G540-0005-01
CB	1	Heat Shield, Control Panel	G540-0023-01
CC	4	Control Knob, Main Burner	G366-1500-01
CD	4	Control Knob Bezel, Main Burner	G366-0010-01
CE1	1	Electronic Ignition Module	G540-0002-01
CE2	1	Battery Cover	G540-0002-02
CE3	1	Ignition Switch	G366-0011-01
CF	1	Ground Wire	G602-0024-03
CG	1	Manifold Assembly	G540-1200-01
CH	1	Regulator	G312-1004-01
CI	1	Regulator Bracket	G366-0046-01
CJ	1	Front Brace with Door Magnet	G540-1300-01
CK	2	Metal Hose	G508-0024-01
CL	1	Hose Connector	G466-0085-01
DA	1	Grease Drawer Assembly	G540-1600-01
DB	1	Replacement Liner	G366-0022-01
DC	1	Grease Pan	G366-0021-01
EA	1	Side Shelf Table, Left	G539-0025-01
EB	1	Side Shelf Fascia, Left	G540-0500-01
EC	1	Side Burner Table, Right	G540-0600-01

ITEM NO.	QTY.	DESCRIPTION	PART NO.
ED	3	Tool Hooks	G366-0041-01
EE	1	Side Burner Fascia, Right	G540-0700-01
EF	1	Side Burner Drip Pan	G515-0083-01
EG	1	Side Burner Lid	G518-0036-01
EH	1	Side Burner Valve	G540-0006-01
EI	1	Side Burner	G540-2100-01
EJ	1	Electrode Set, Side Burner	G515-0039-02
EK	1	Cooking Grate, Side Burner	G540-0020-01
EL	1	Control Knob, Side Burner	G540-2200-01
EM	1	Control Knob Bezel, Side Burner	G540-0019-01
EN	4	Side Shelf Support Brace	G539-0500-01
FA	1	Front Leg, Left (F1)	G366-1001-01
FB	1	Back Leg, Left (F1)	G366-1002-01
FC	1	Cart Side Panel, Left (F1)	G366-1003-01
FD	1	Front Leg, Right (F2)	G366-1101-01
FE	1	Back Leg, Right (F2)	G366-1102-01
FF	1	Upper Cart Side Panel, Right (F2)	G366-1103-01
FG	1	Lower Cart Side Panel, Right (F2)	G366-1104-01
FH	1	Cylinder support	G539-0017-02
FI	1	Tank Base Support	G539-0016-01
FJ	1	Upper Back Panel	G540-0004-01
FK	1	Lower Back Panel	G540-0003-01
FL	1	Door Assembly, Left	G540-1400-01
FM	1	Door Assembly, Right	G540-1500-01
FN	1	Lower Door Brace	G366-0015-01
FO	2	Door Handle	G539-0010-01
FP	1	Bottom Panel	G540-0001-01
FQ	2	Tank Exclusion Brace	G366-0014-01
GA	2	Feet	G539-0002-01
GB	2	Wheel	G366-1200-01
GC	1	Wheel Axle	G366-0003-01
H1	1	Hardware Pack	G540-B001-01
H2	1	Assembly Manual	G540-M001-01
H3	1	User Manual	G540-M001-02

EXPLODED PARTS

START IT

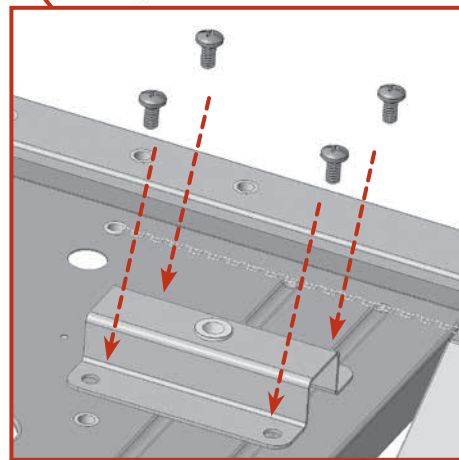
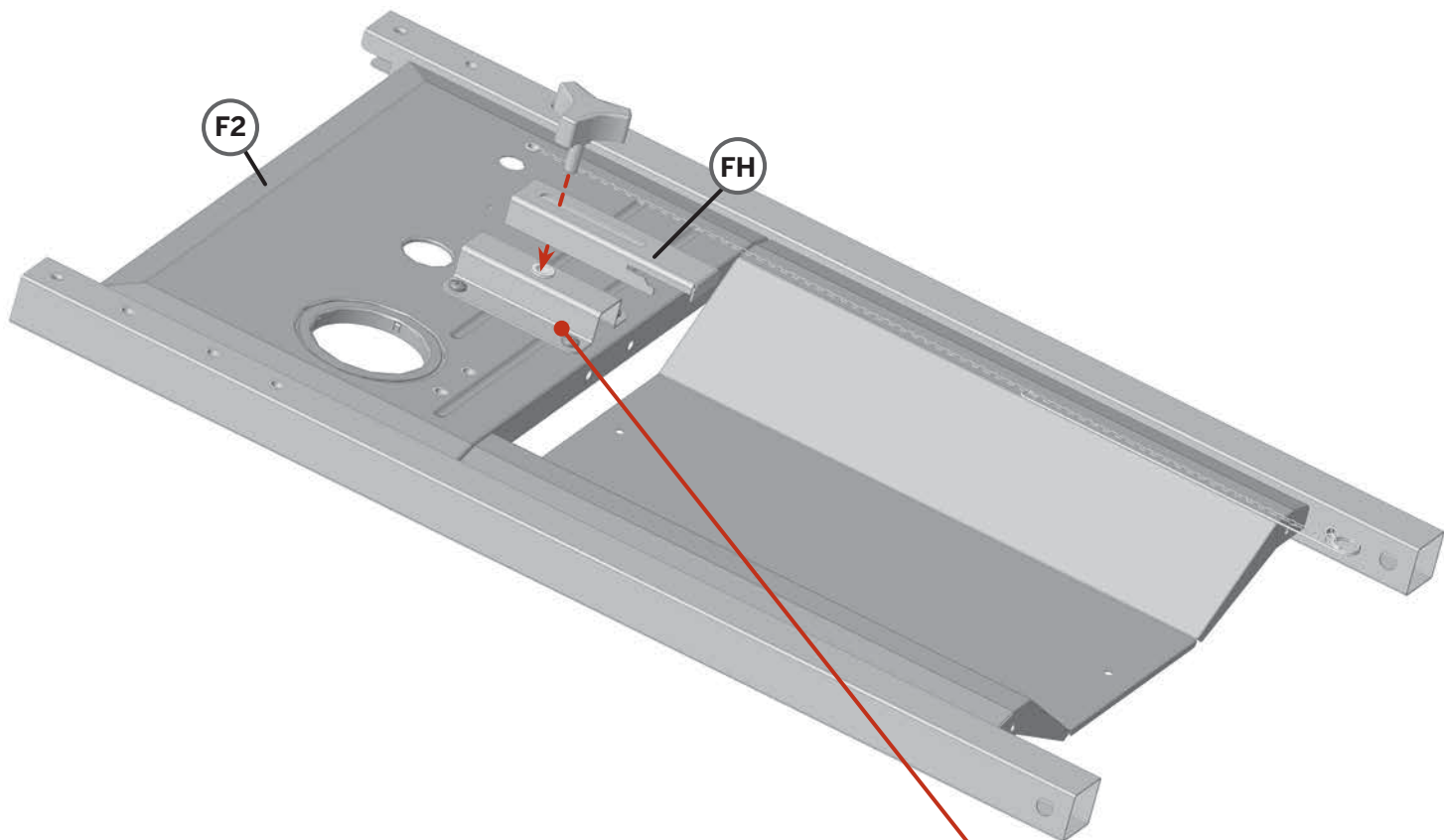


BUILD IT

STEP 1A



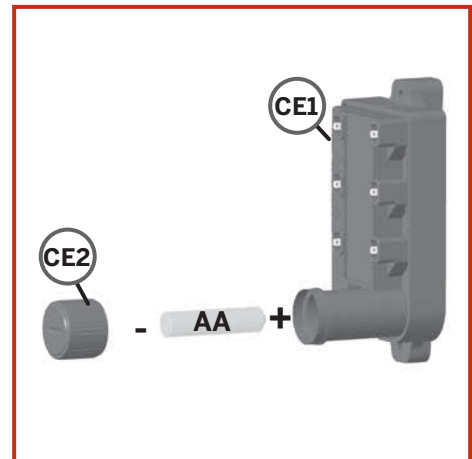
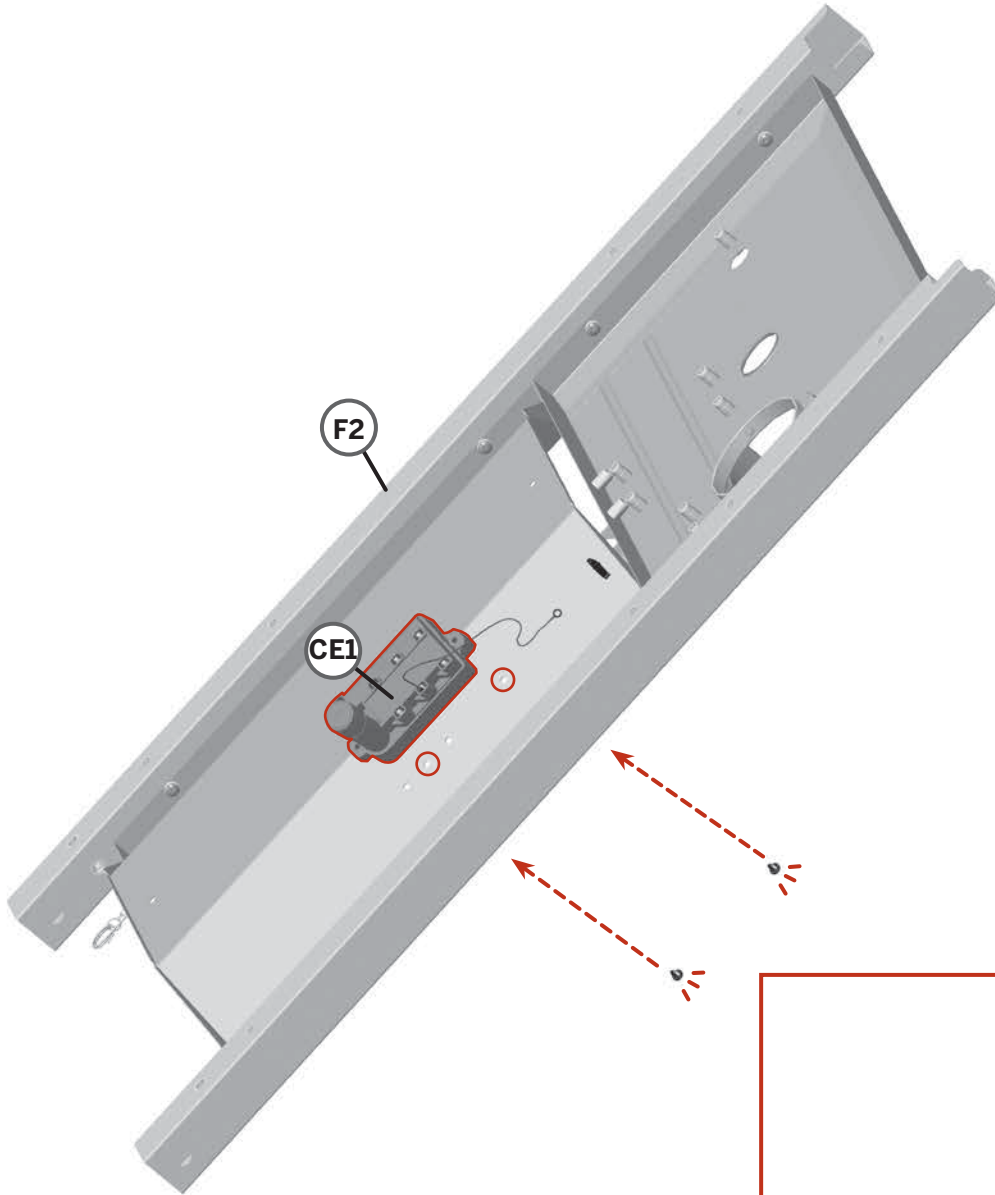
Assemble on a **FLAT** and **SOFT** surface to avoid damage.



BUILD IT

BUILD IT

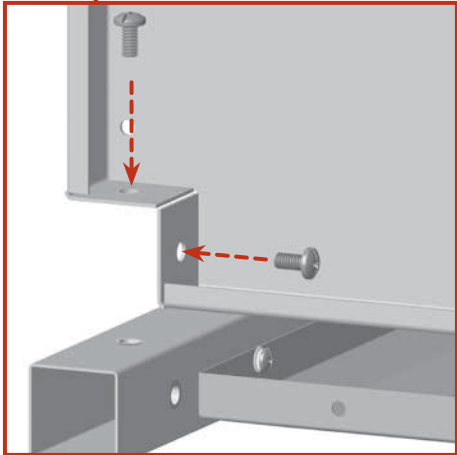
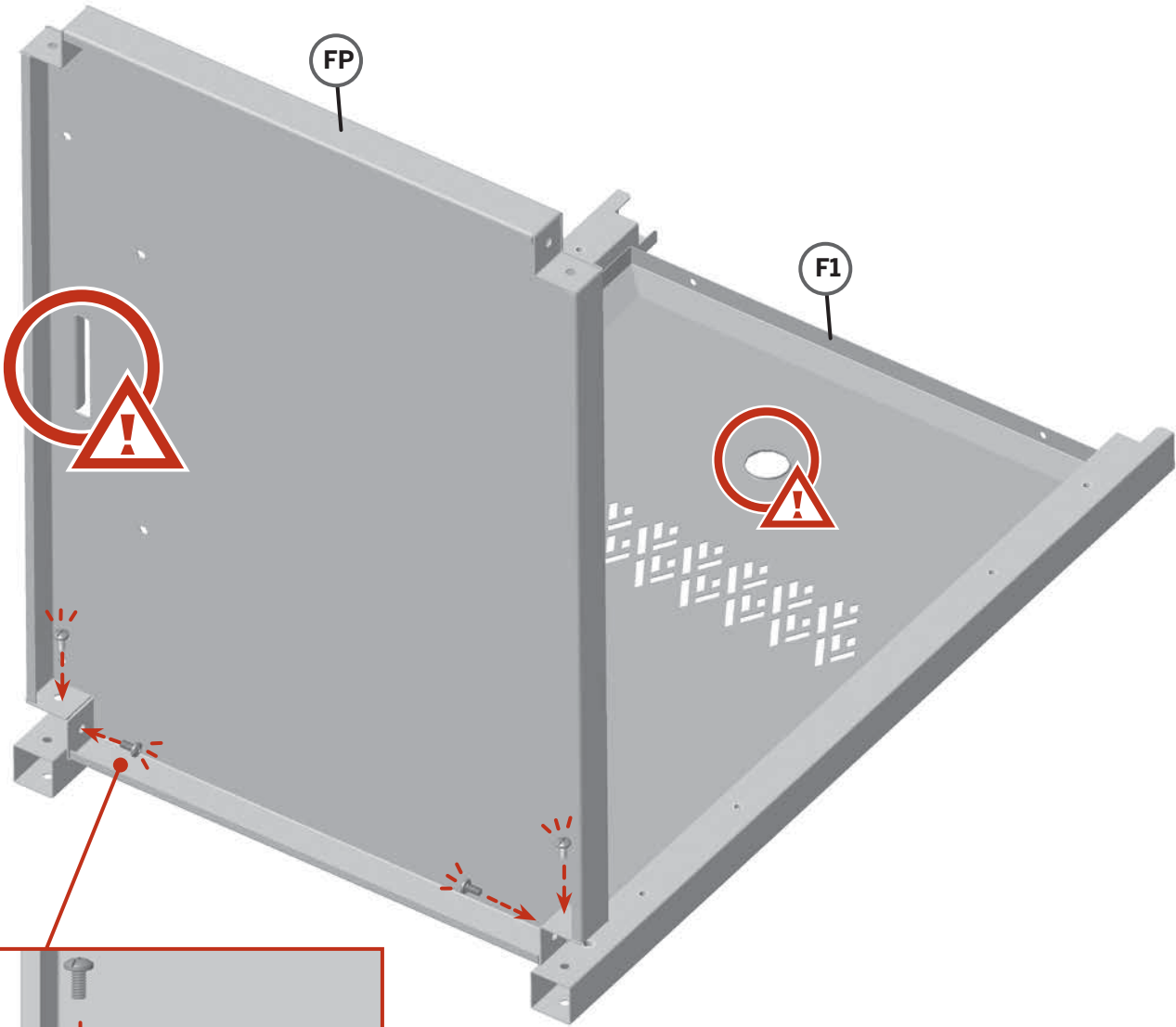
STEP 1B



BATTERY NOT INCLUDED.

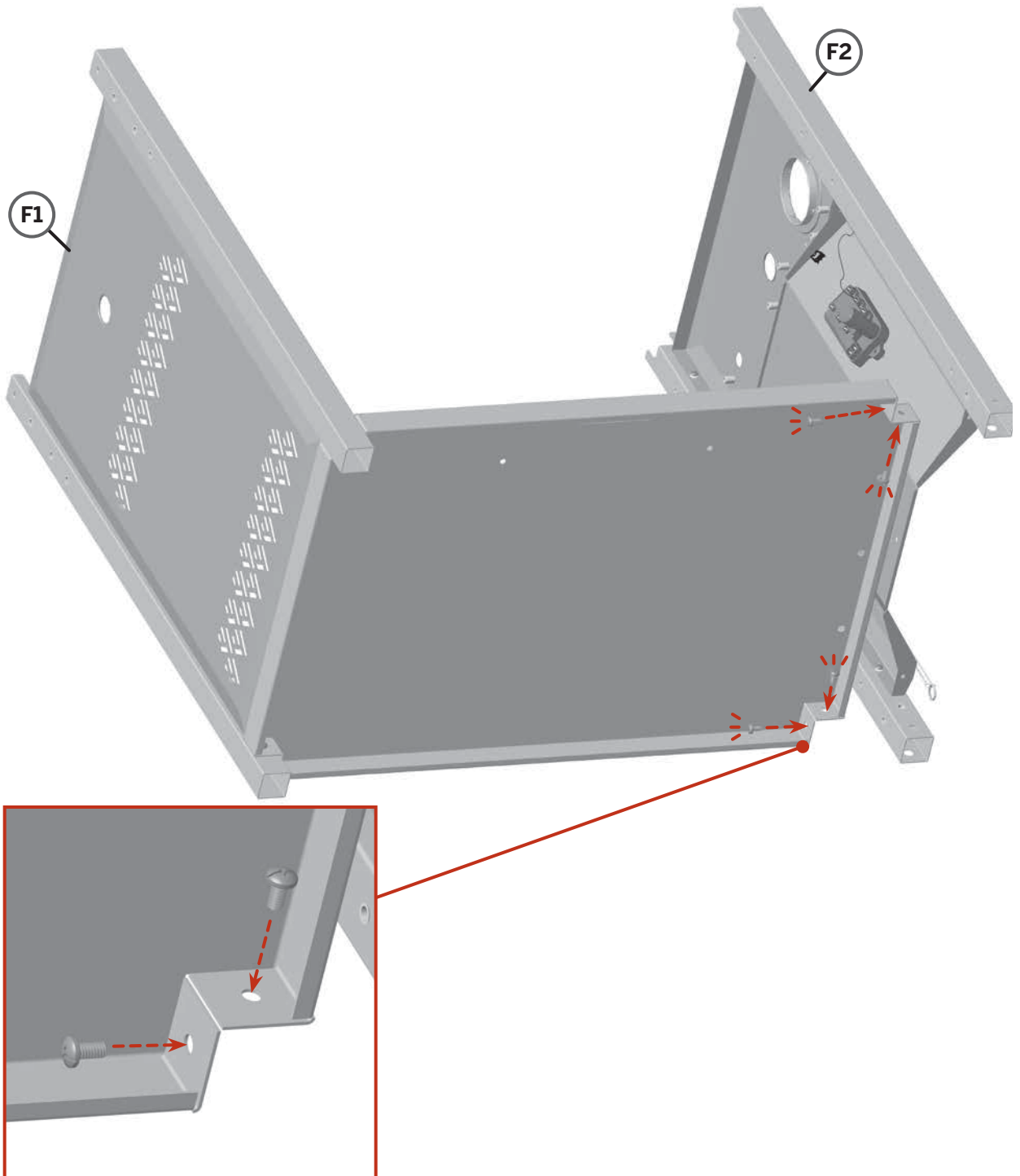
BUILD IT

STEP 2A



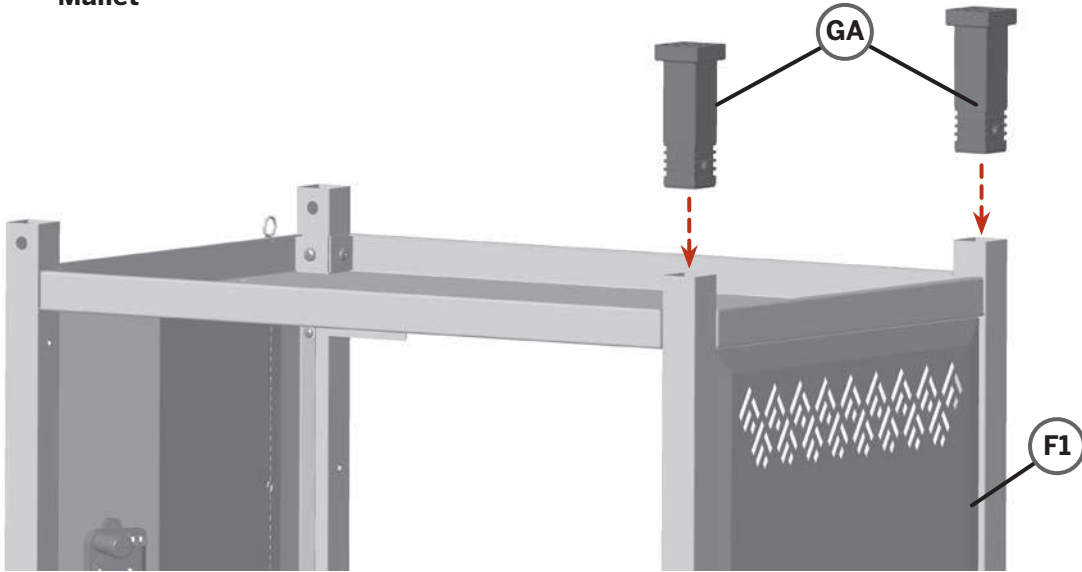
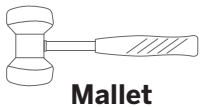
BUILD IT

STEP 2B

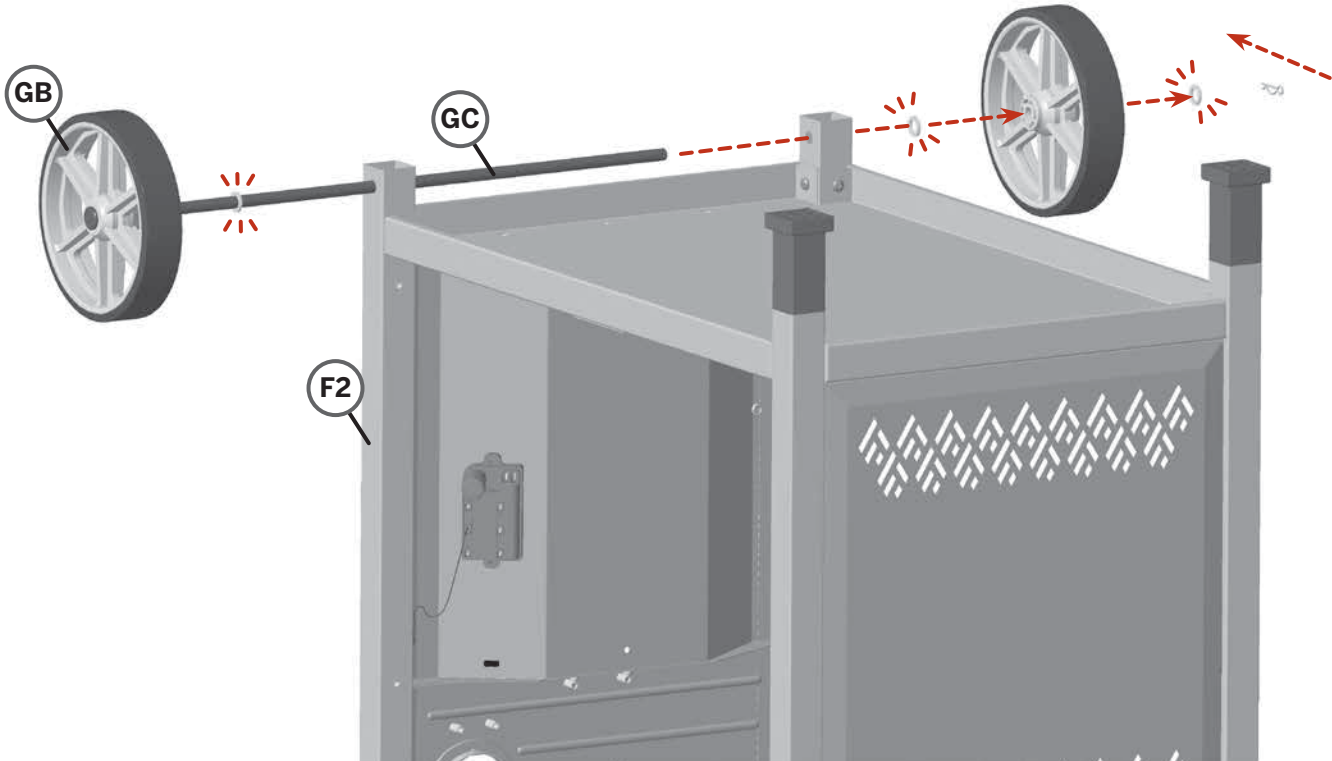


BUILD IT

STEP 3A



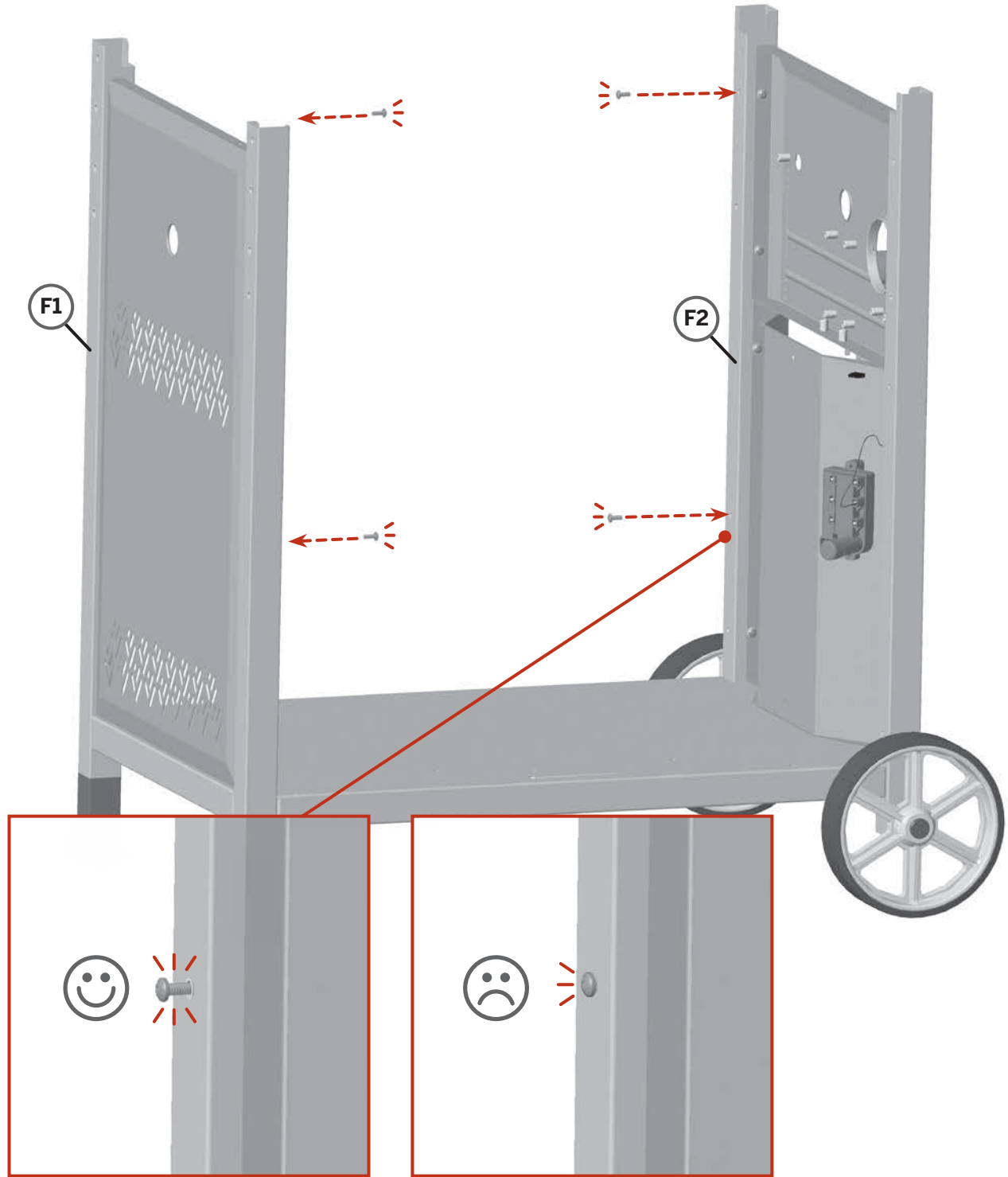
STEP 3B



BUILD IT

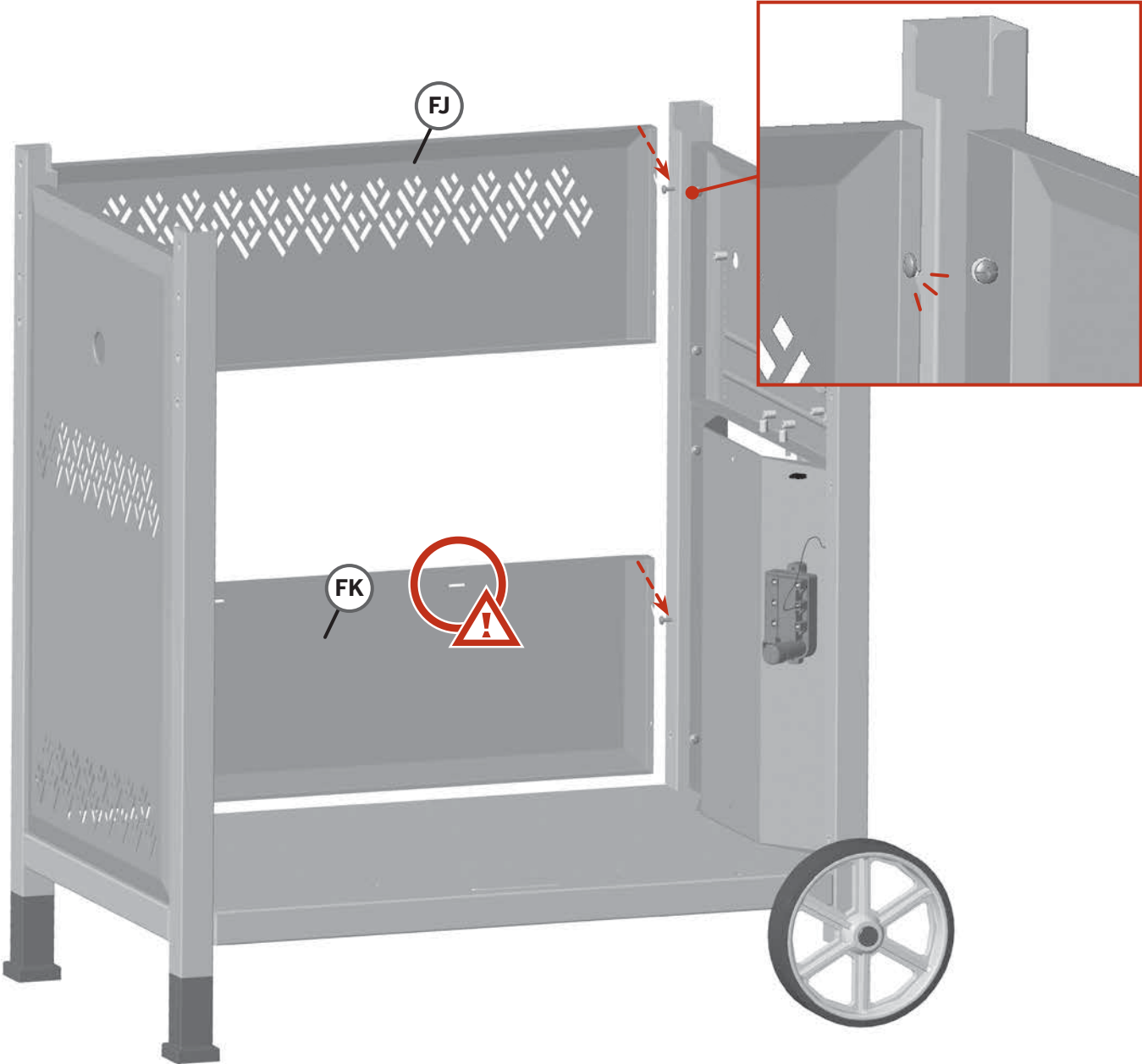
BUILD IT

STEP 4A



BUILD IT

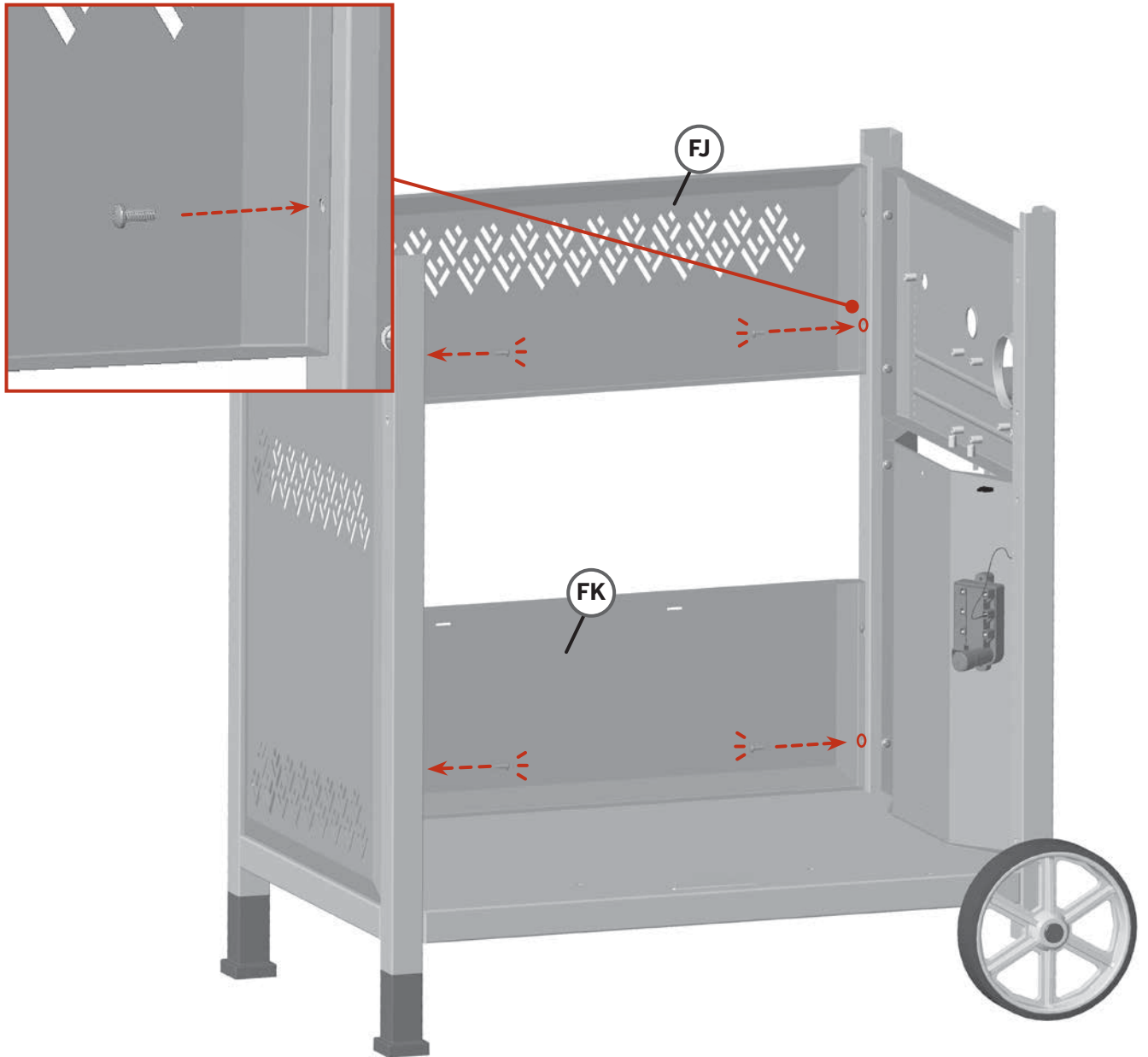
STEP 4B



BUILD IT

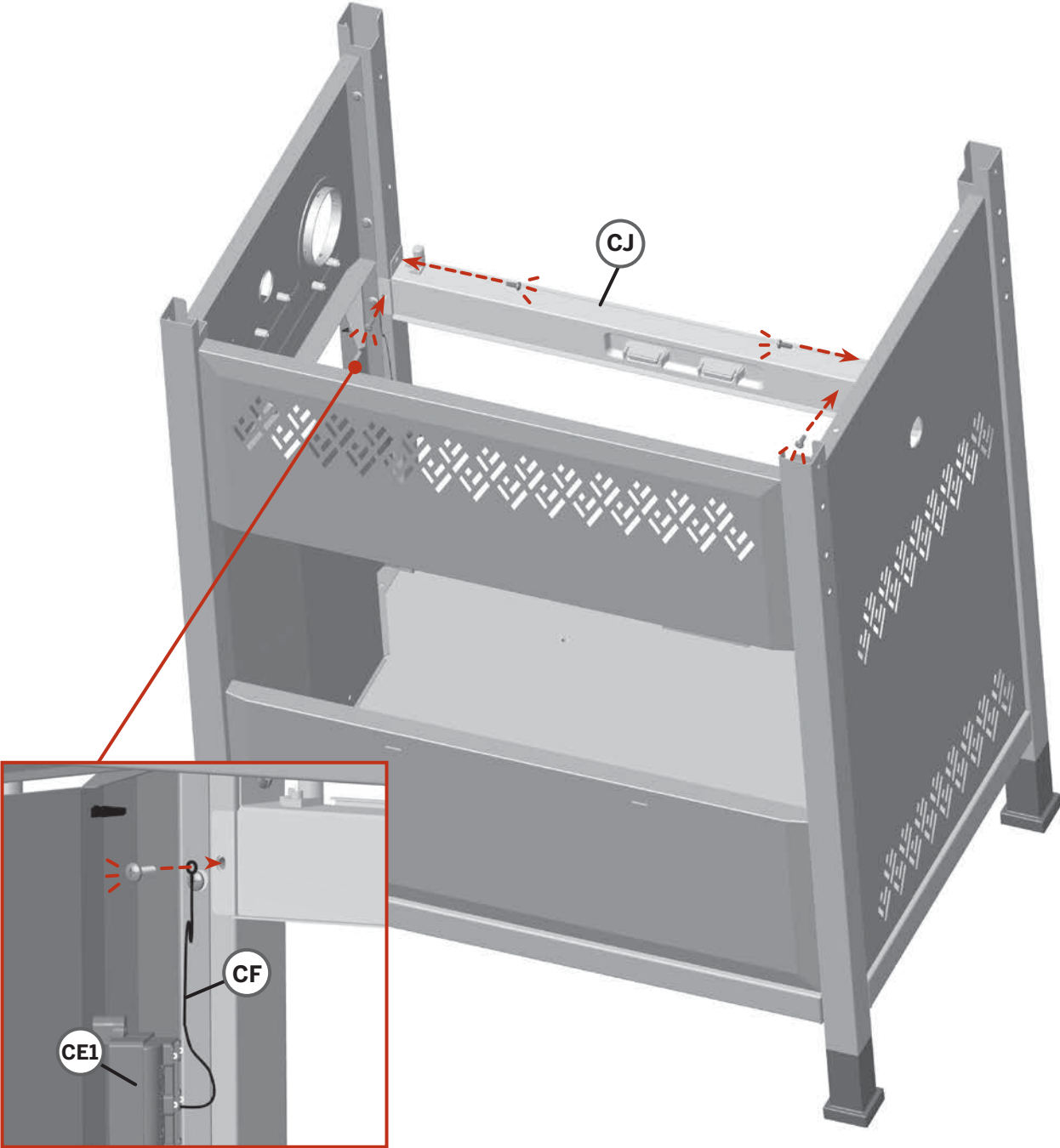
BUILD IT

STEP 4C



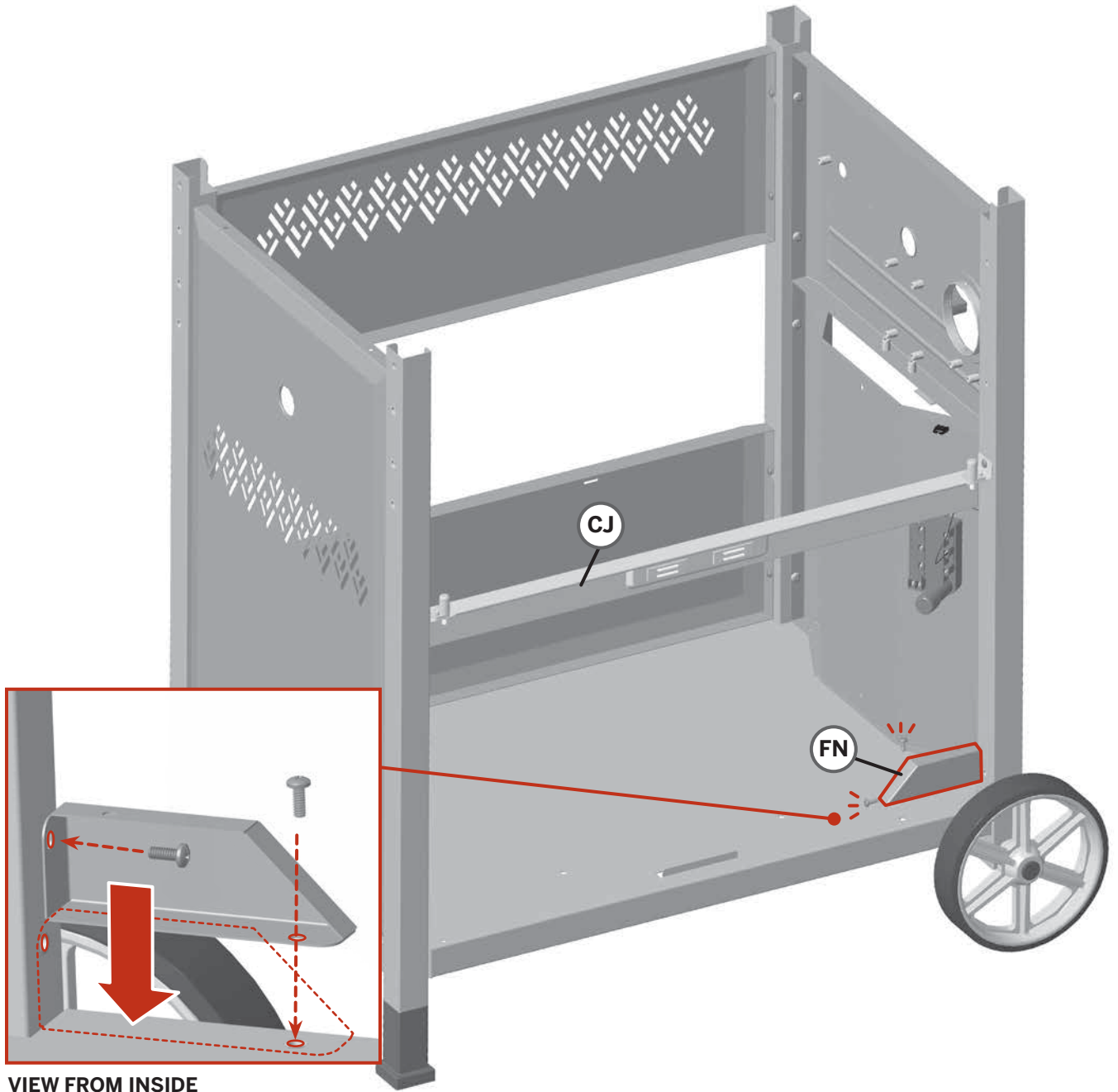
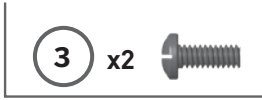
BUILD IT

STEP 4D



BUILD IT

STEP 5



VIEW FROM INSIDE

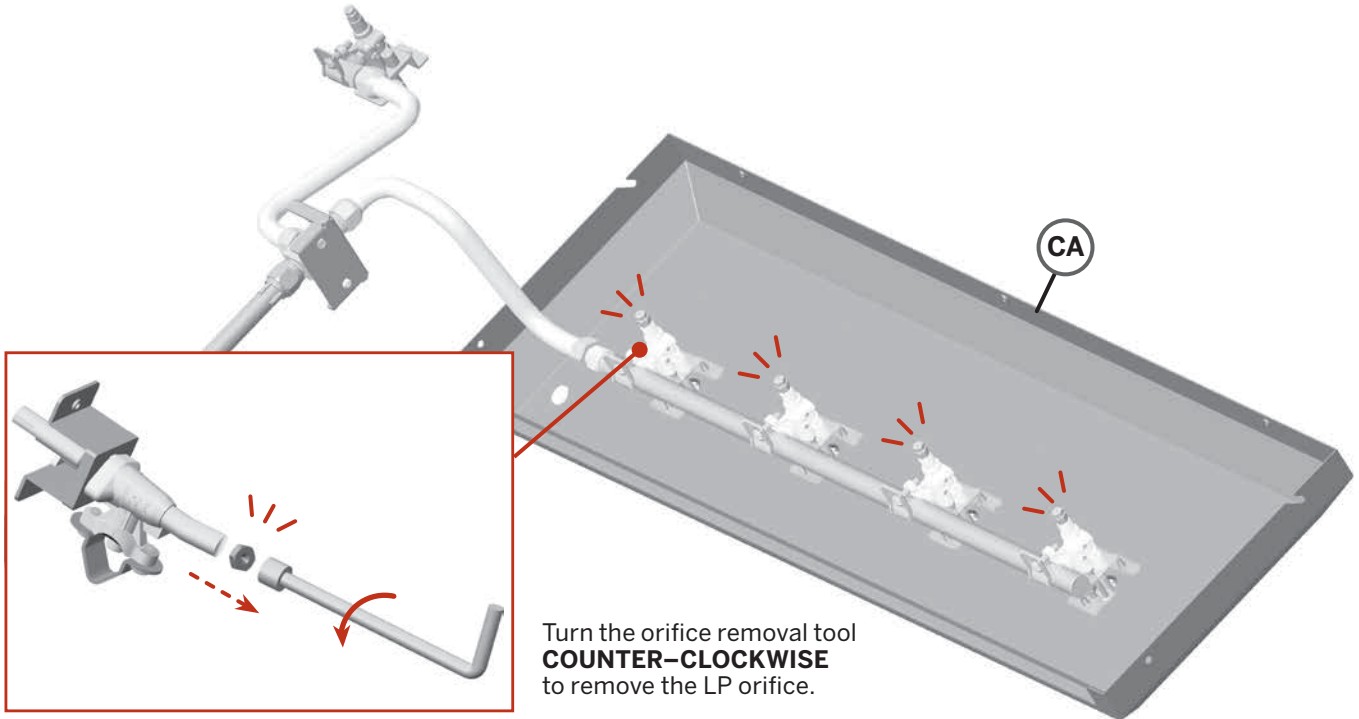
BUILD IT

STEP 6A



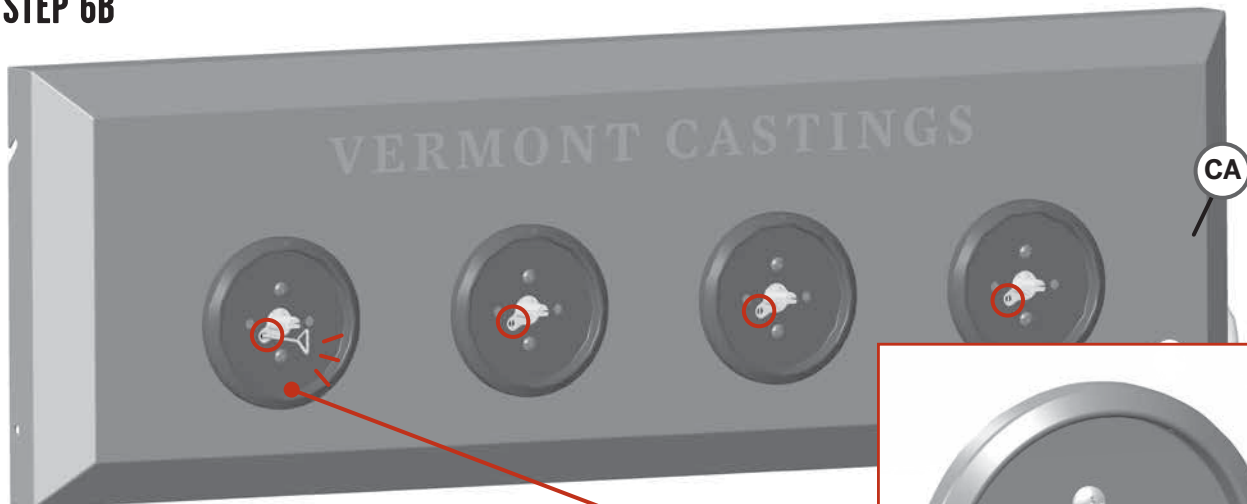
FOR NATURAL GAS CONVERSION CUSTOMERS ONLY

You will need a **Convertible Valve System Kit (Model 085-2261-4)** in this step. See **Steps 3 and 4B** in manual included with this kit. Once complete proceed to the next step.



Turn the orifice removal tool **COUNTER-CLOCKWISE** to remove the LP orifice.

STEP 6B



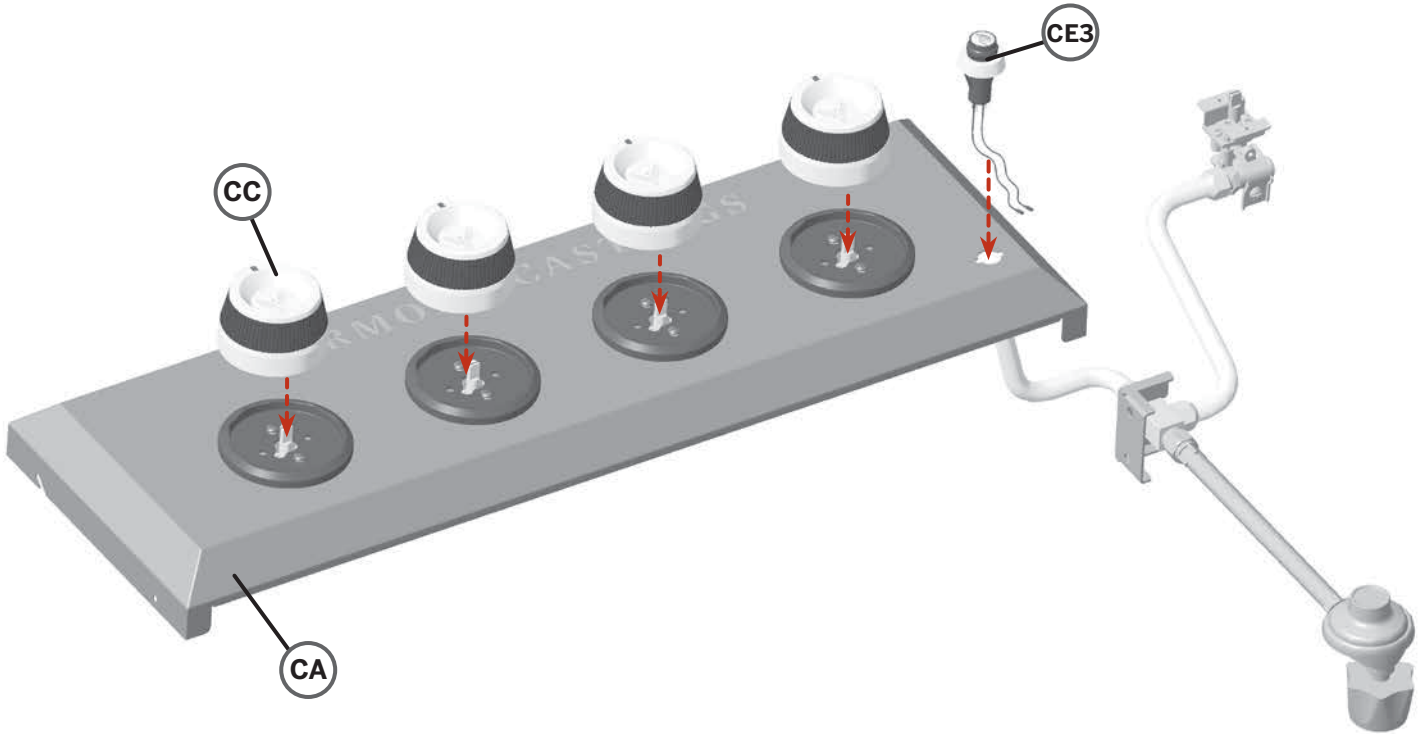
Locate the switch screw circled in the diagram. Using the screwdriver supplied with this kit, turn the screw **COUNTER-CLOCKWISE 3-5 TURNS** until it stops, to complete the valve conversion.



BUILD IT

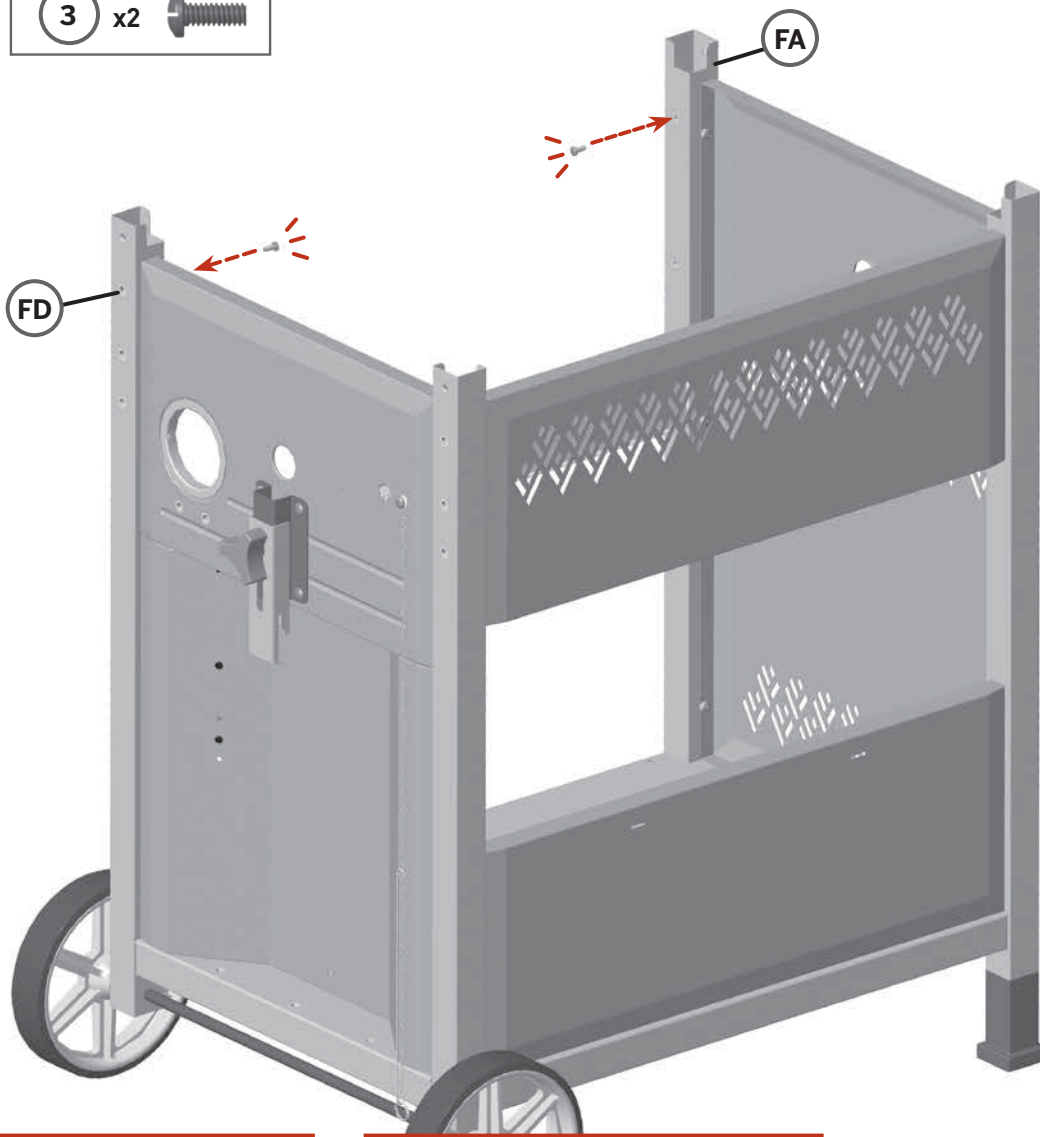
STEP 6C

BUILD IT

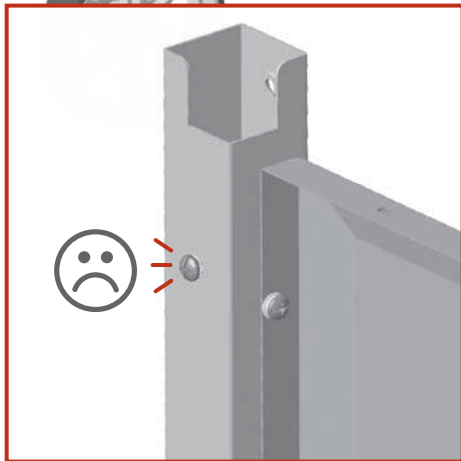
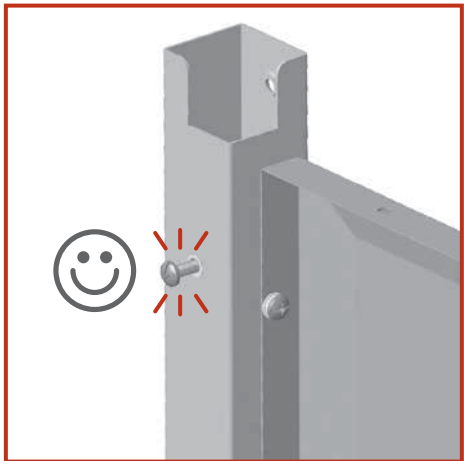


BUILD IT

STEP 6D



BUILD IT

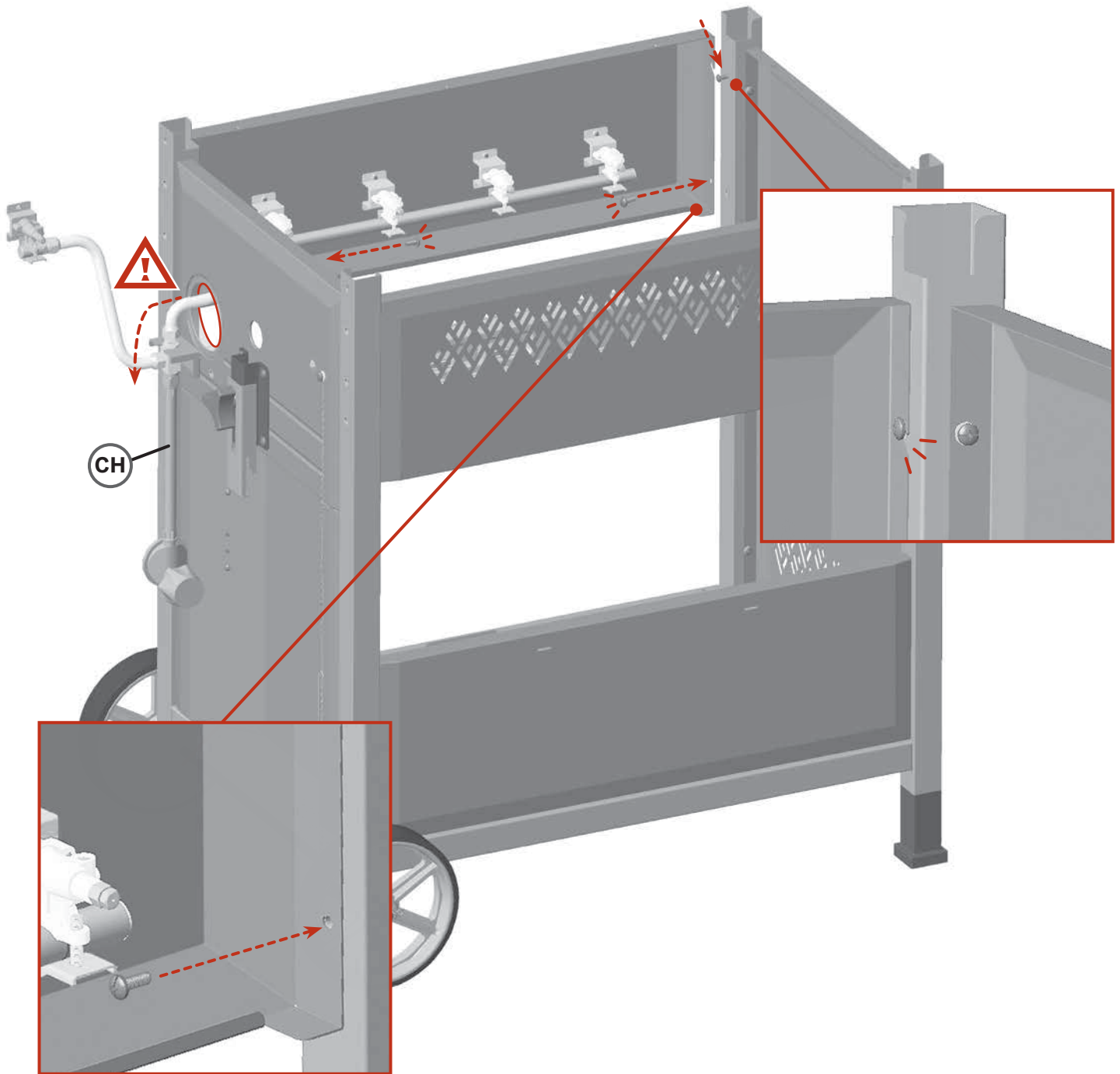


BUILD IT

STEP 6E

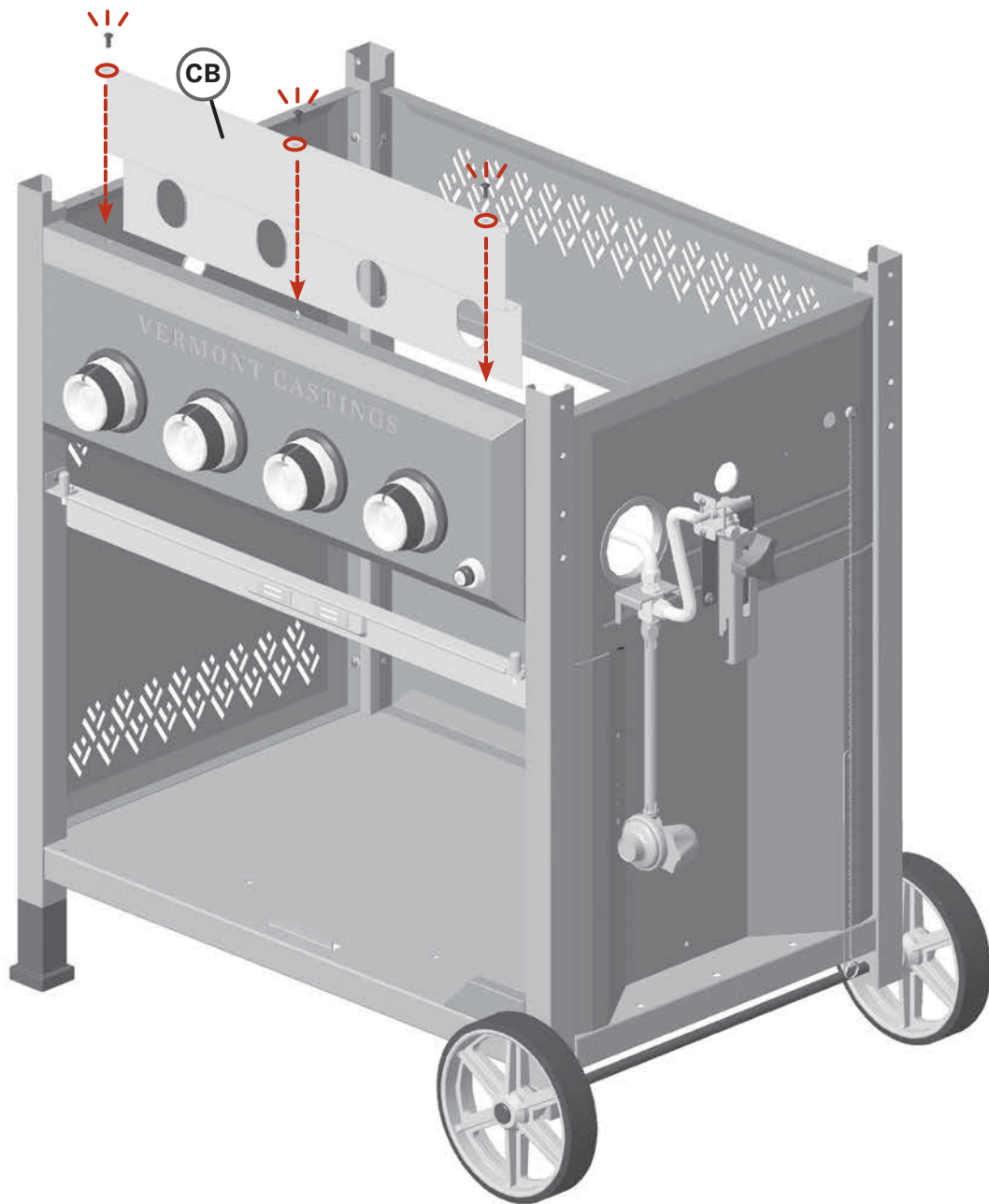


BUILD IT



BUILD IT

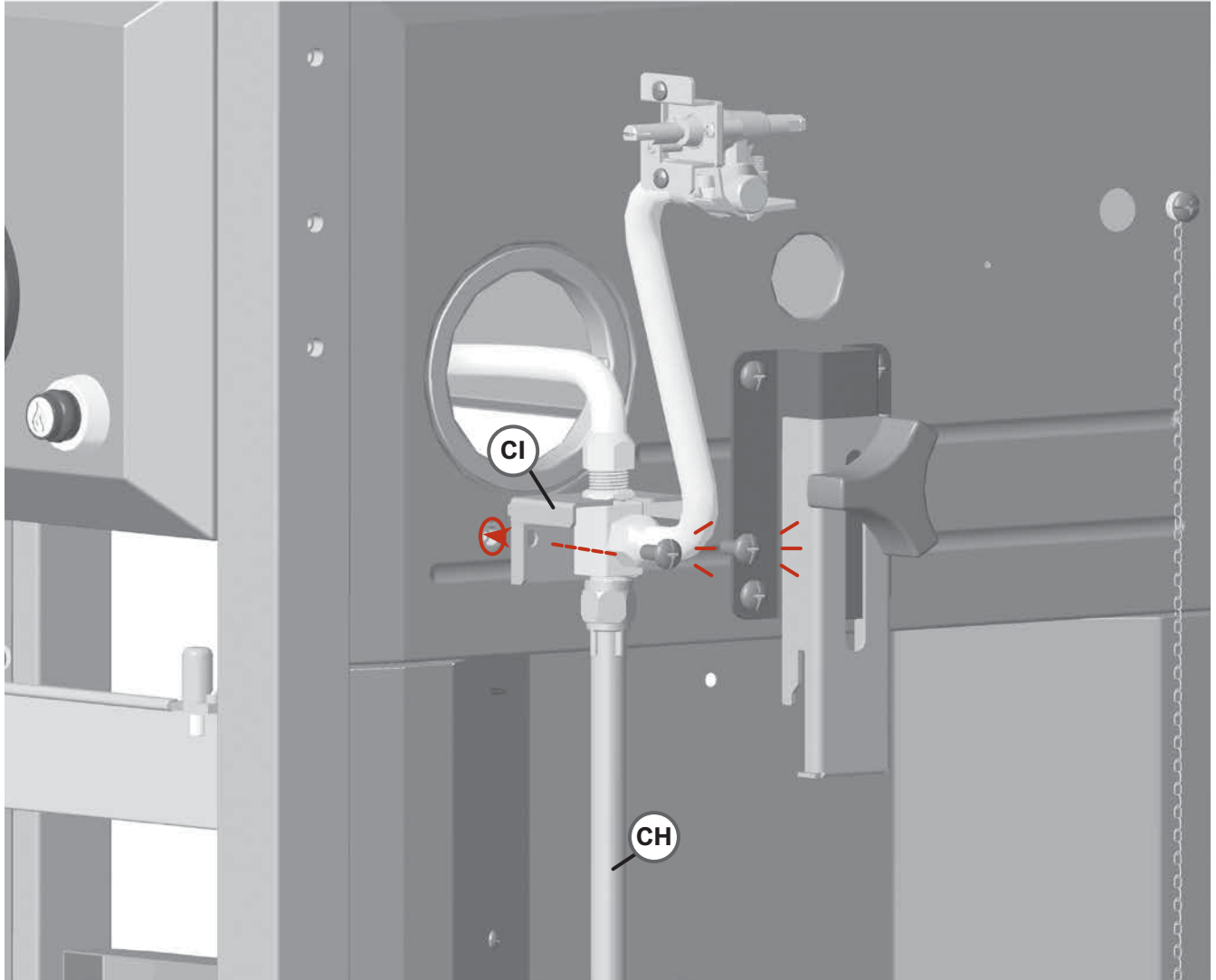
STEP 6F



BUILD IT

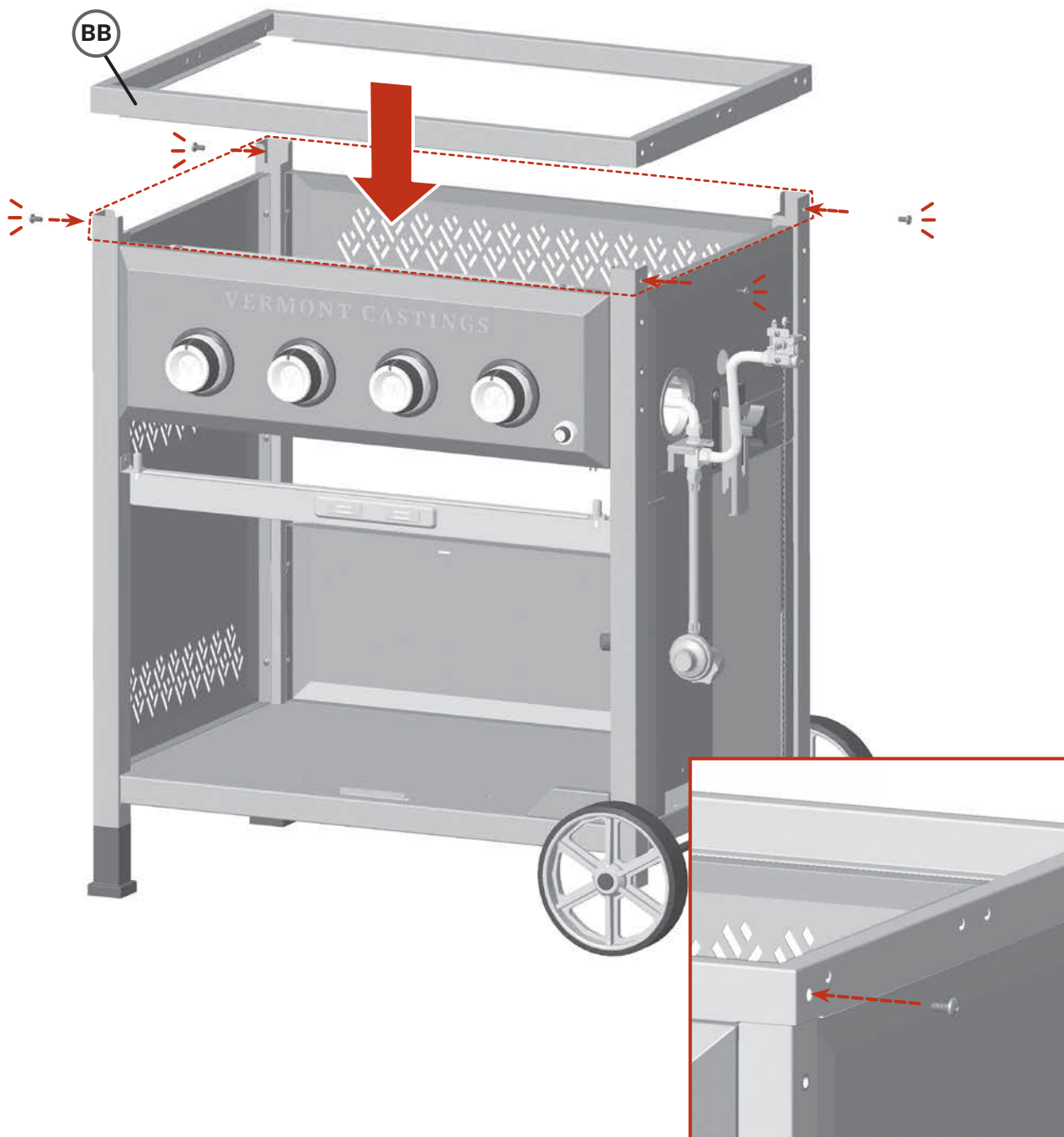
BUILD IT

STEP 7



BUILD IT

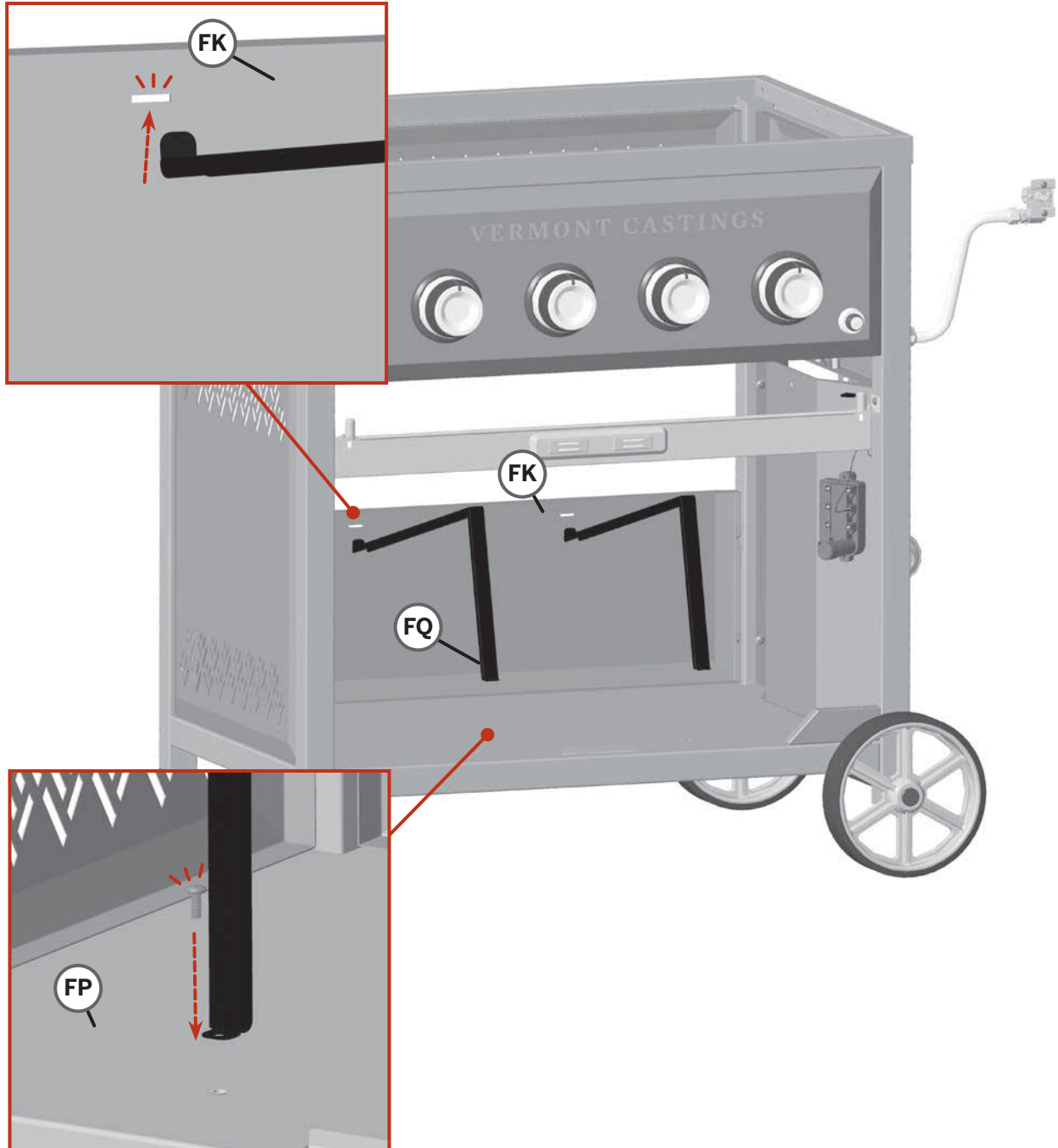
STEP 8



BUILD IT

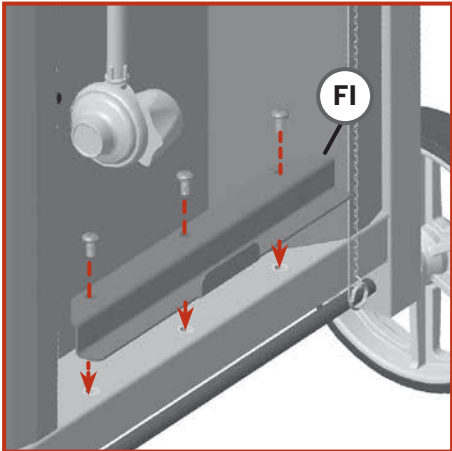
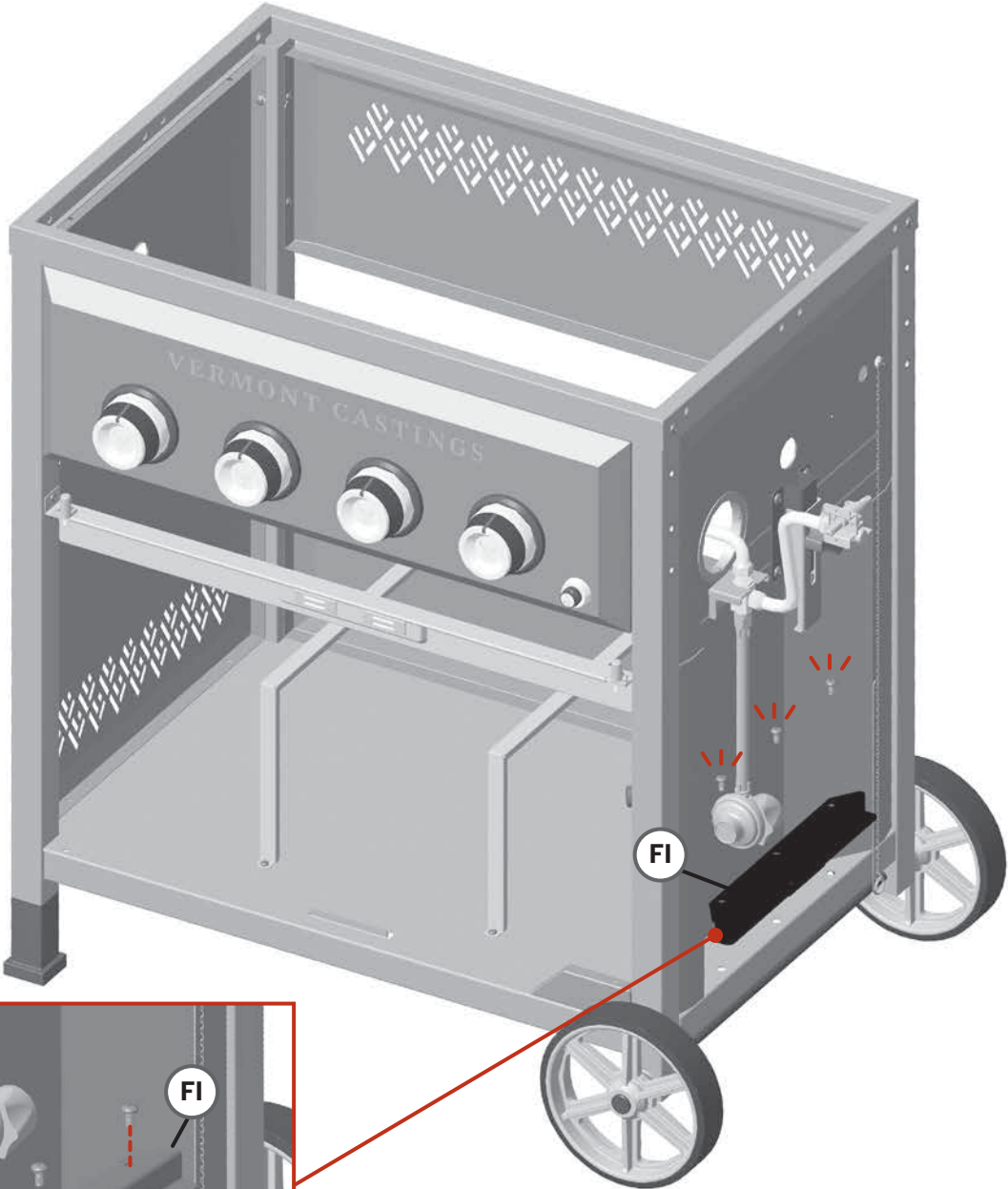
BUILD IT

STEP 9



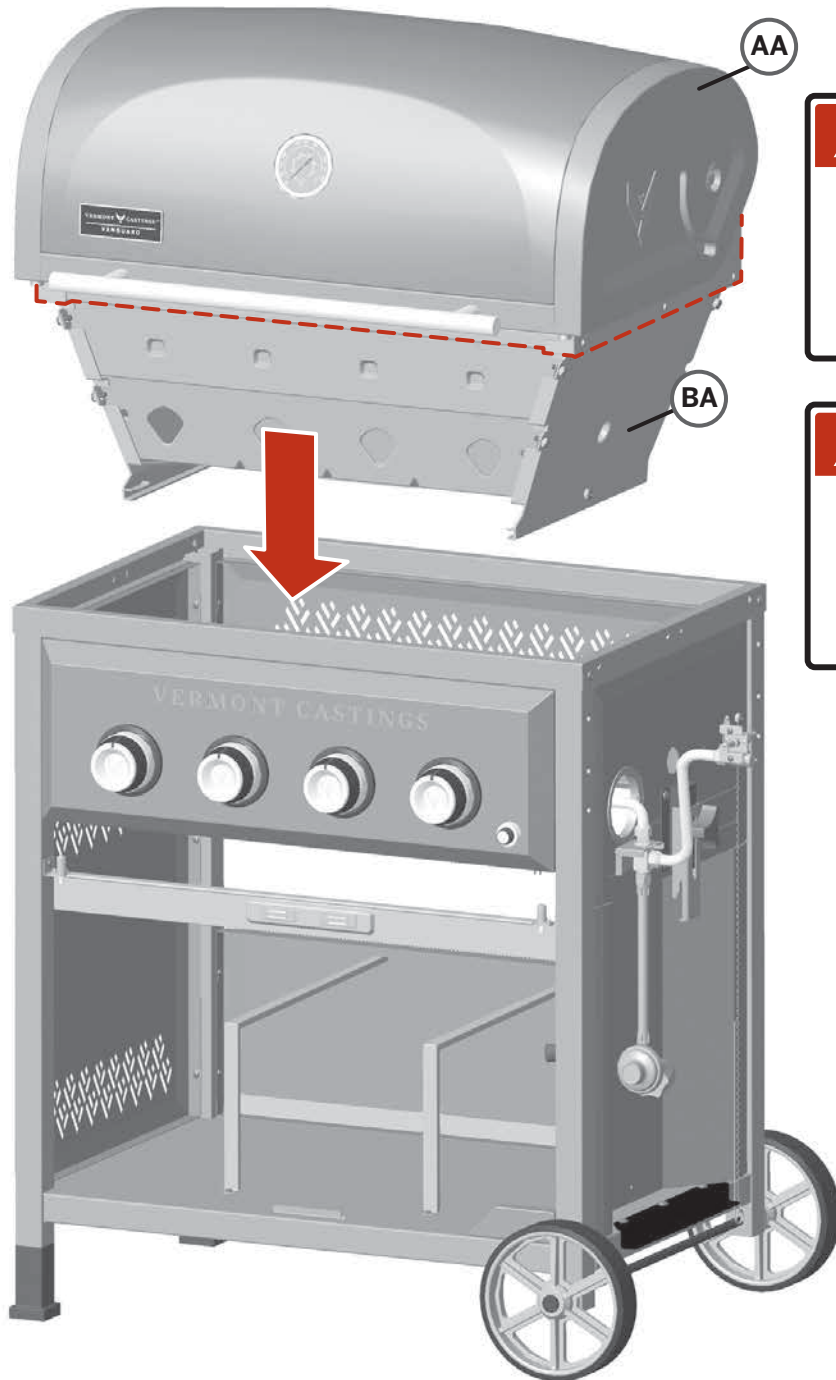
BUILD IT

STEP 10



BUILD IT

STEP 11



SAFETY FIRST



**WATCH YOUR
HANDS AND
FINGERS**

DANGER

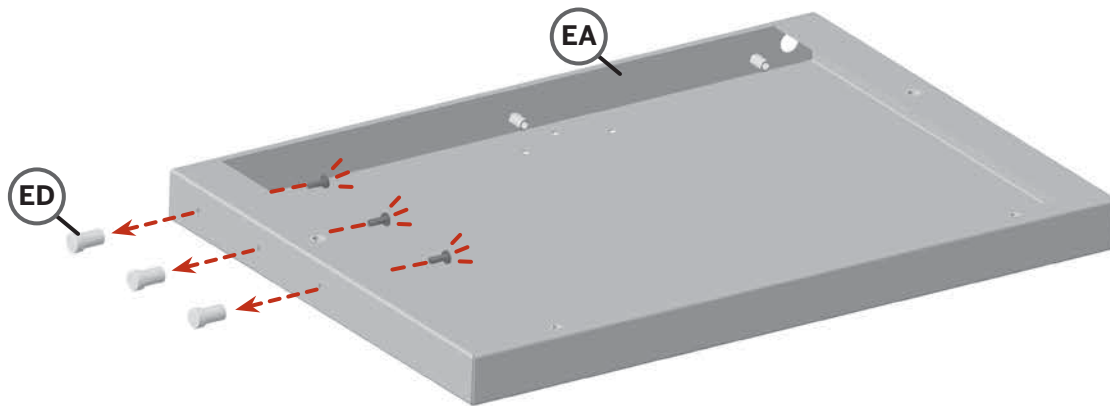


**27 KG
60 LBS**

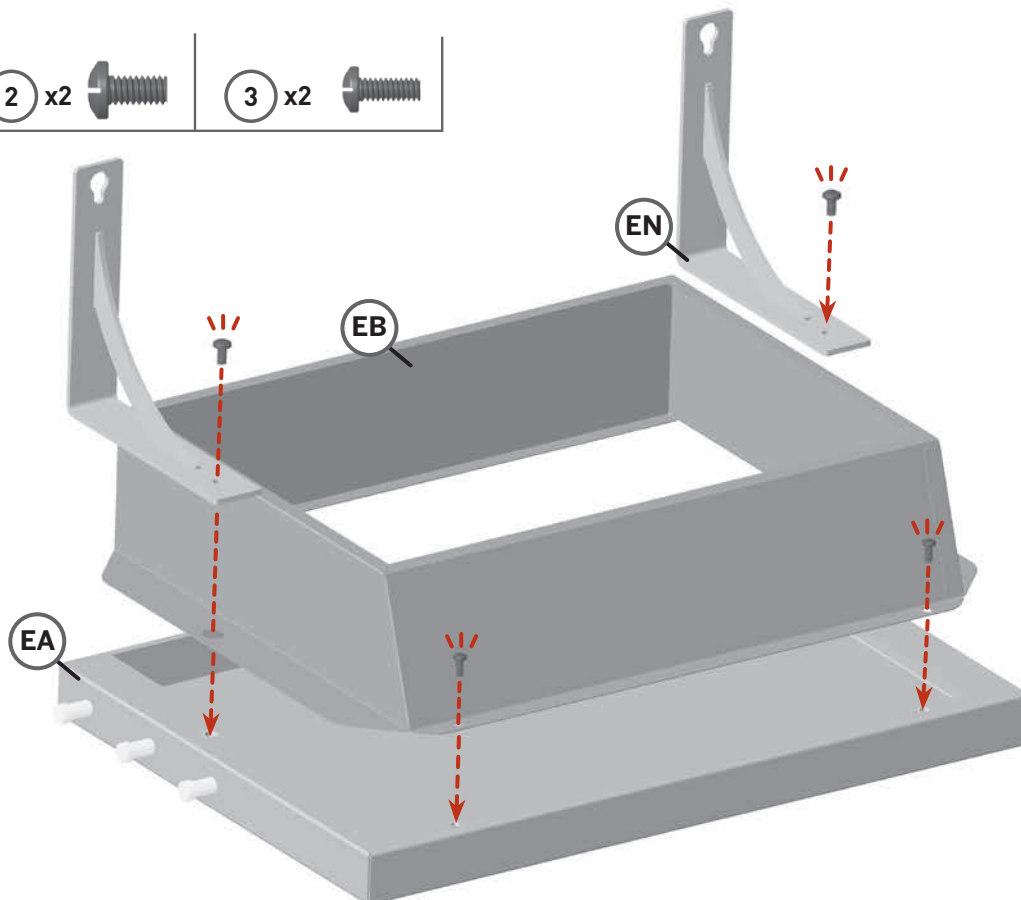
**HEAVY.
LIFT WITH
CARE**

BUILD IT

STEP 12A



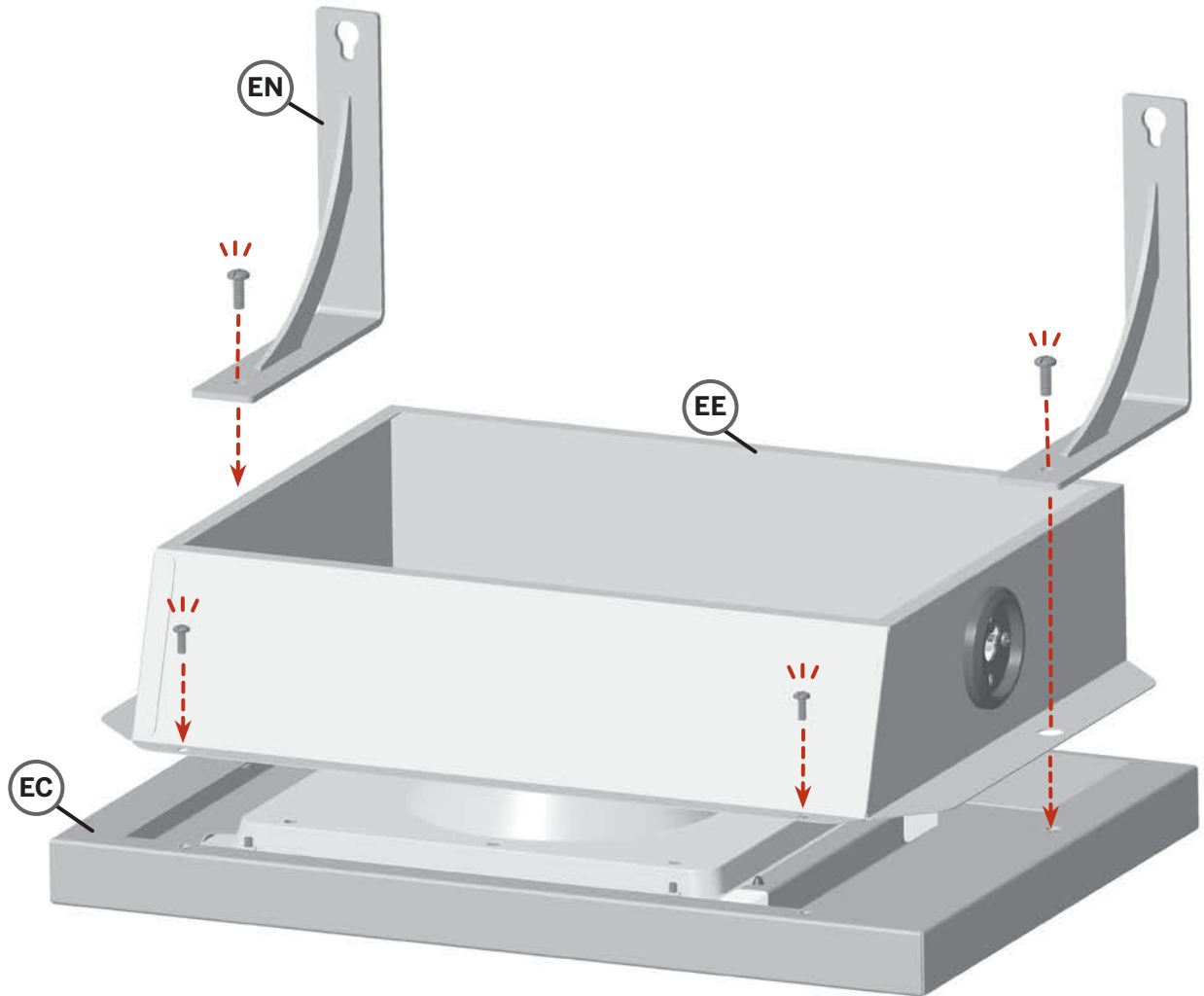
STEP 12B



BUILD IT

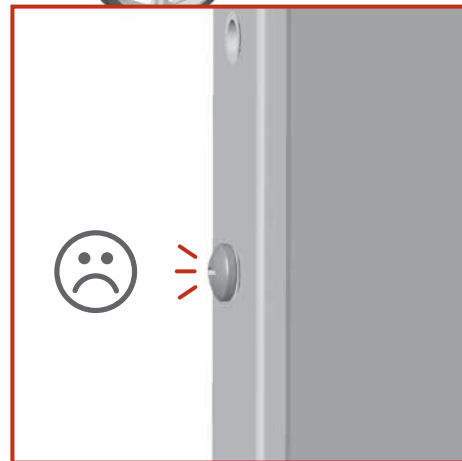
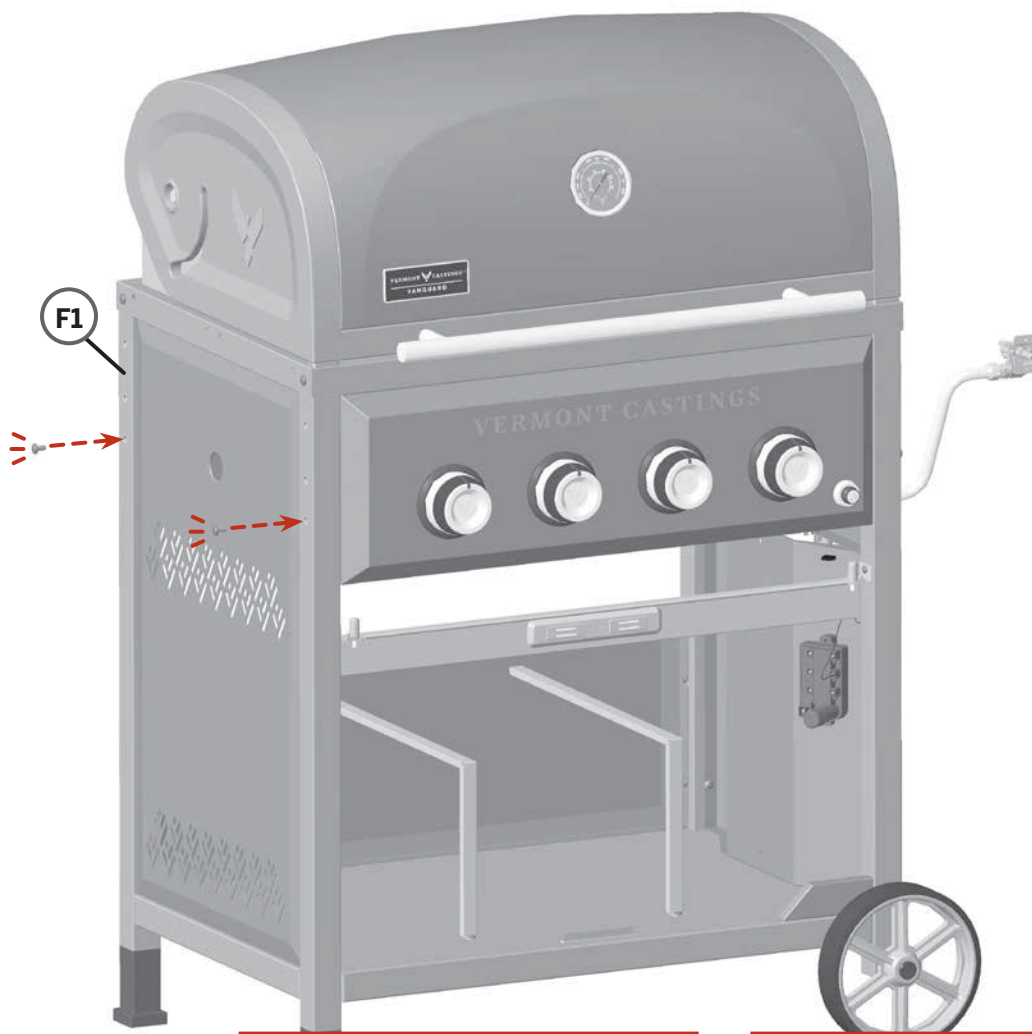
BUILD IT

STEP 12C



BUILD IT

STEP 13A

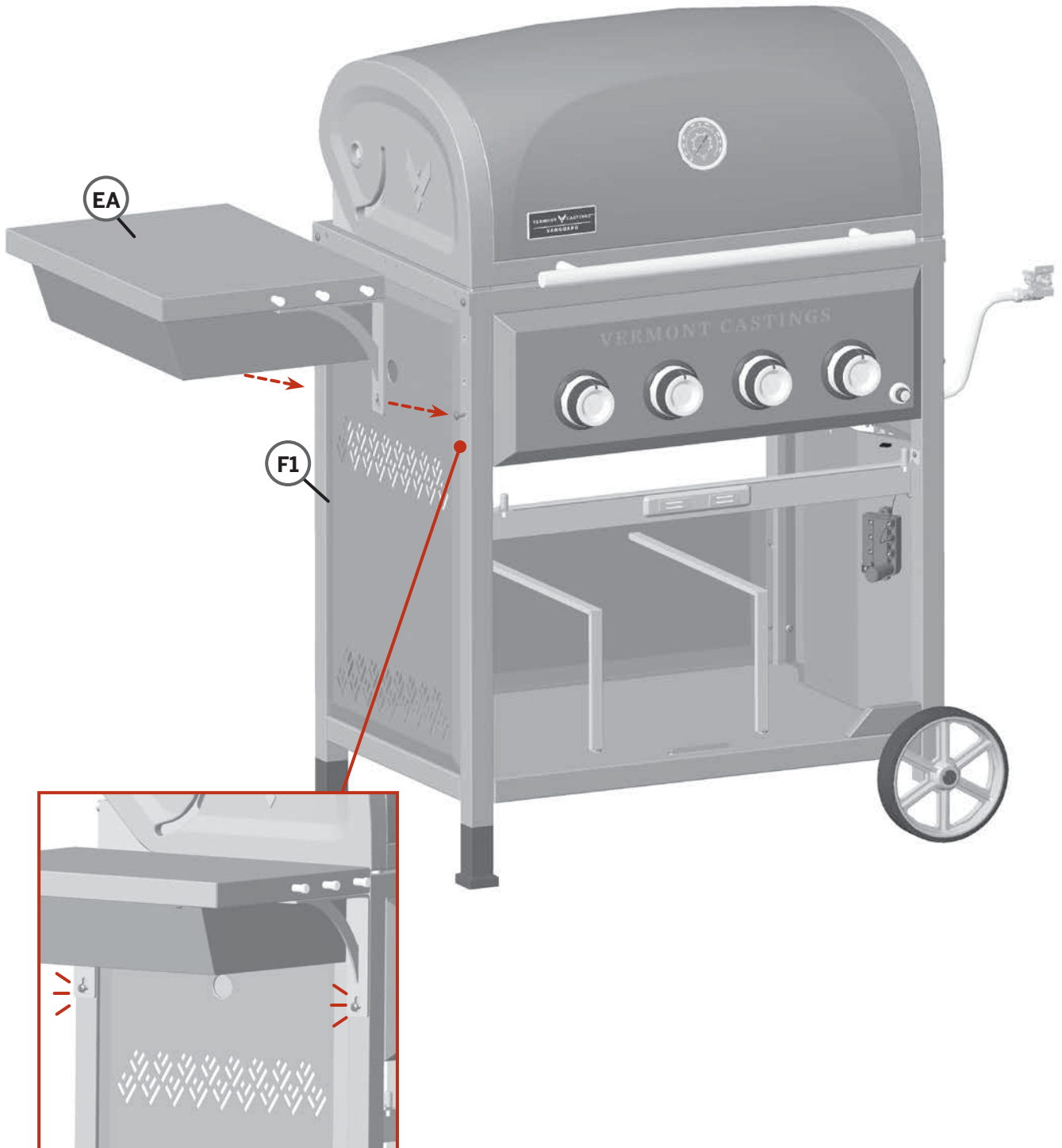


BUILD IT

BUILD IT

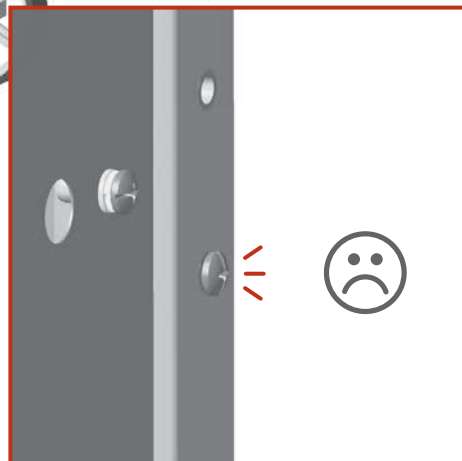
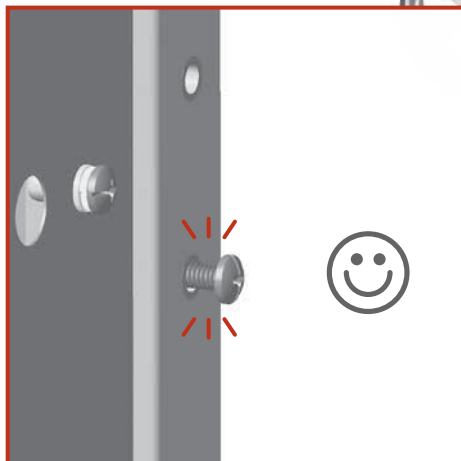
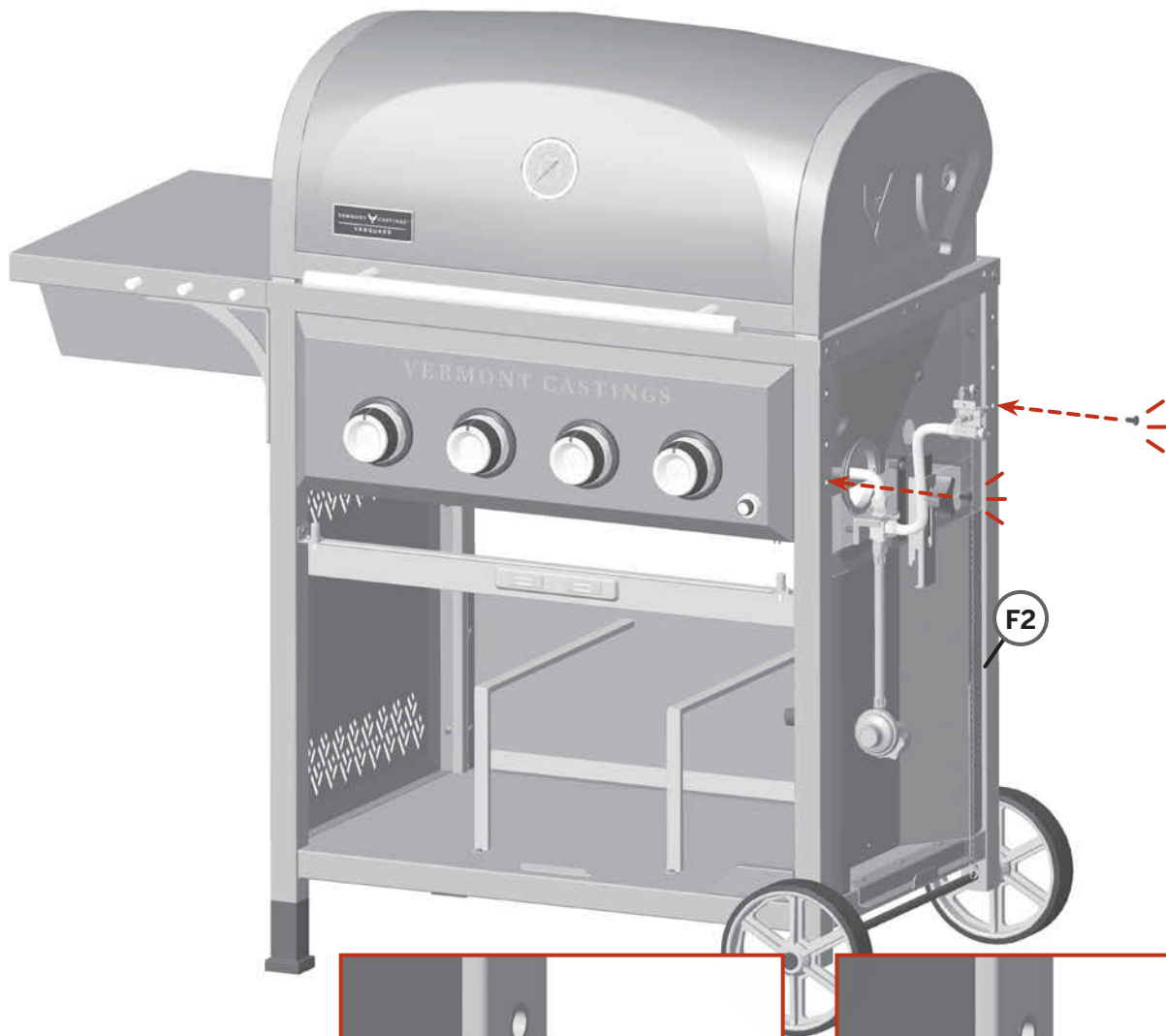
STEP 13B

BUILD IT



BUILD IT

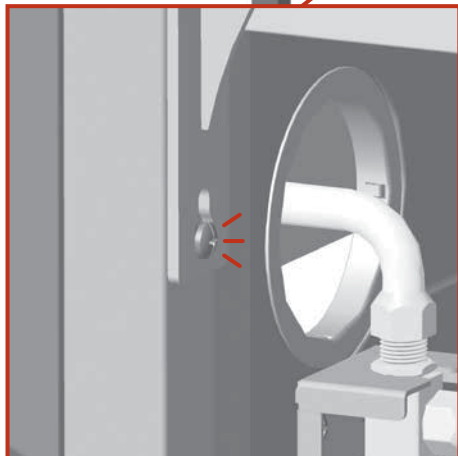
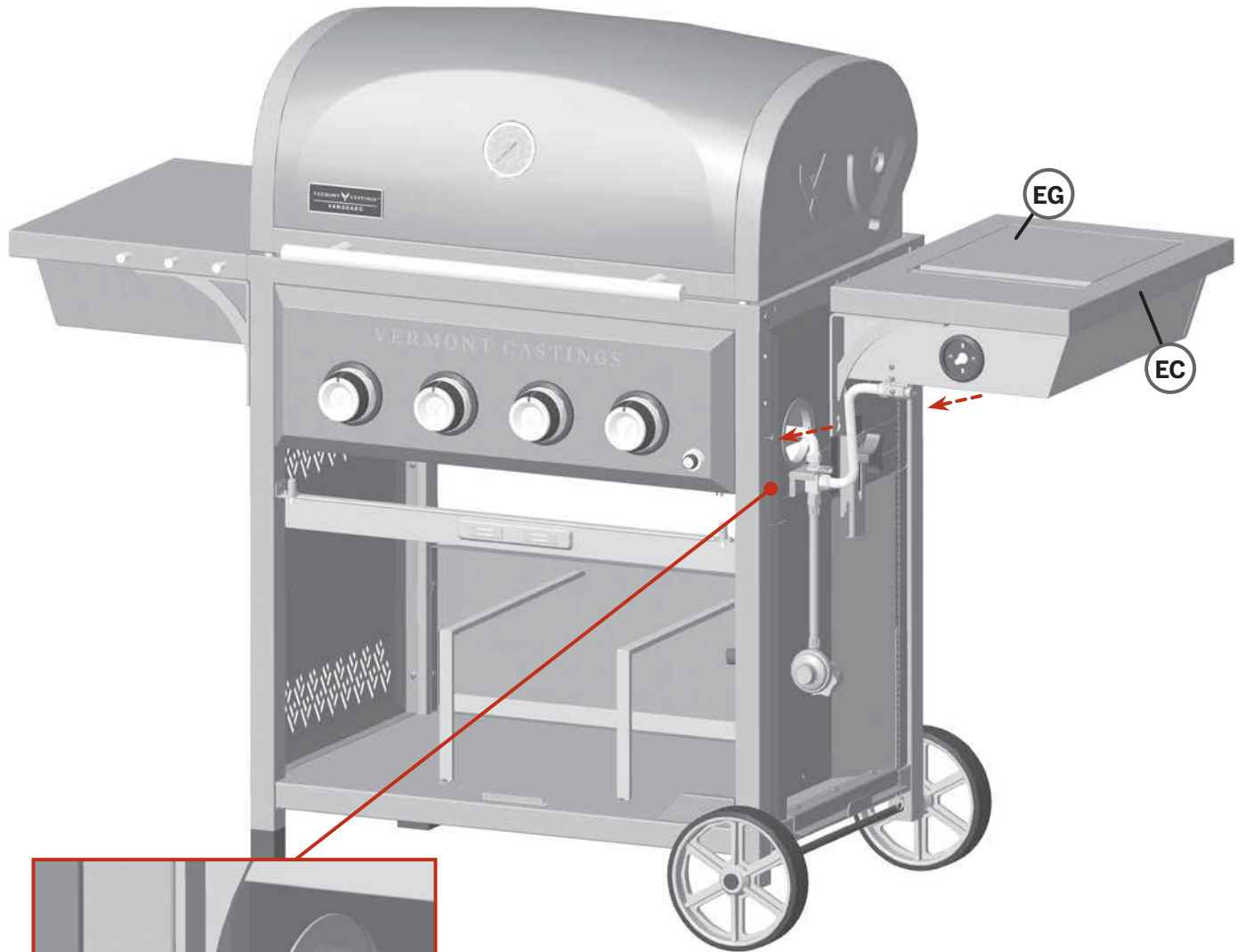
STEP 13C



BUILD IT

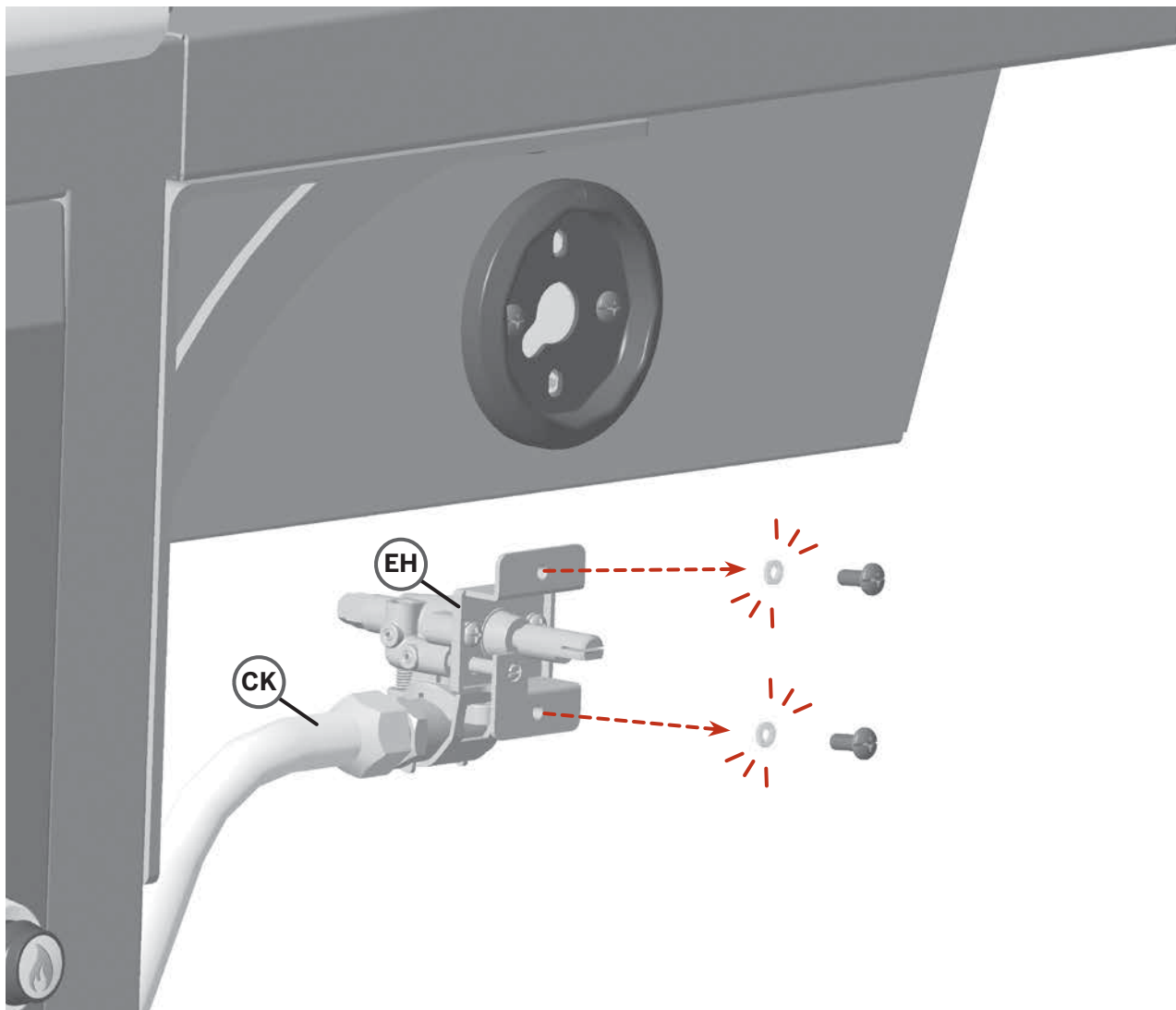
BUILD IT

STEP 13D



BUILD IT

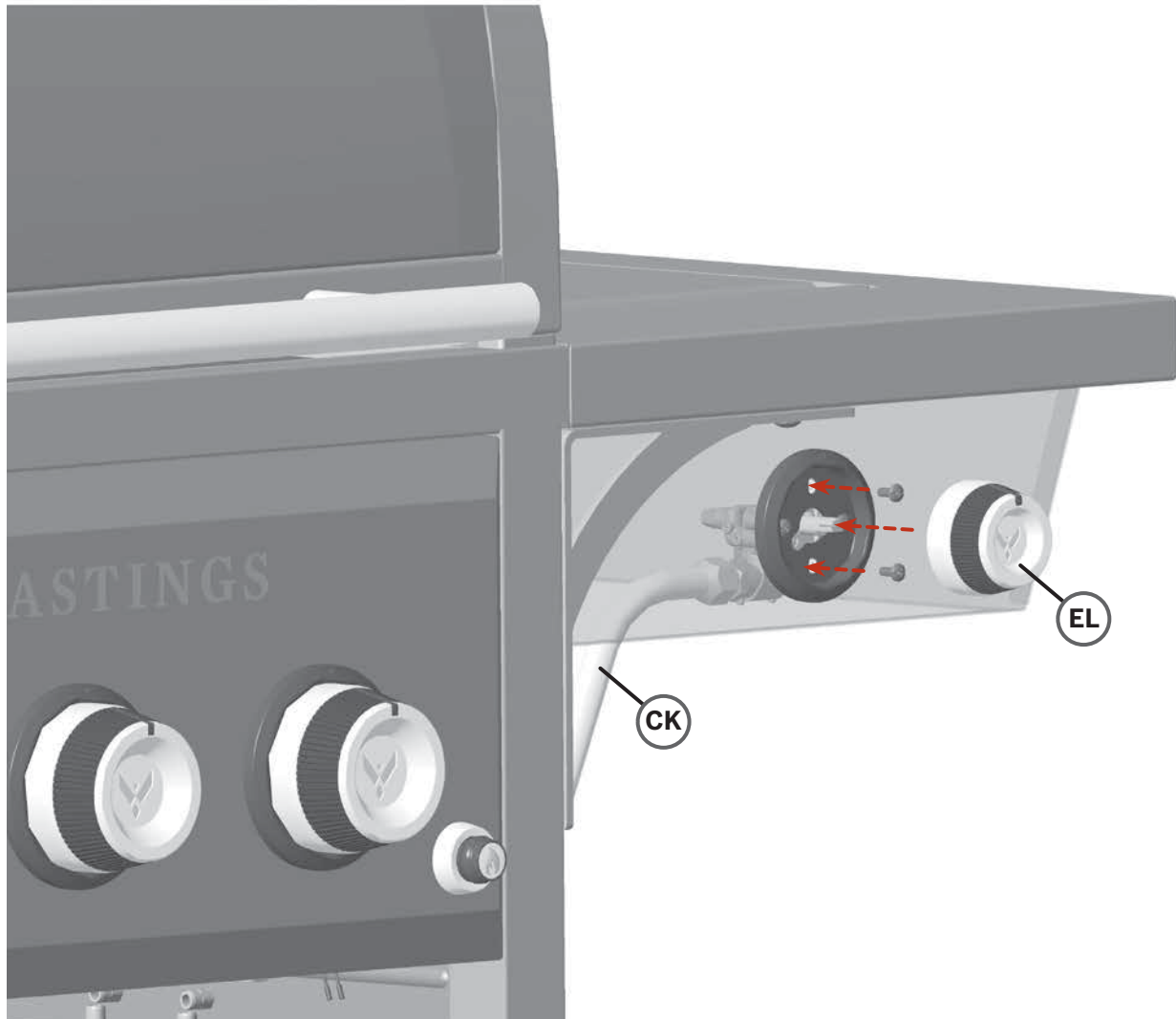
STEP 13E Remove hardware from the valve.



BUILD IT

BUILD IT

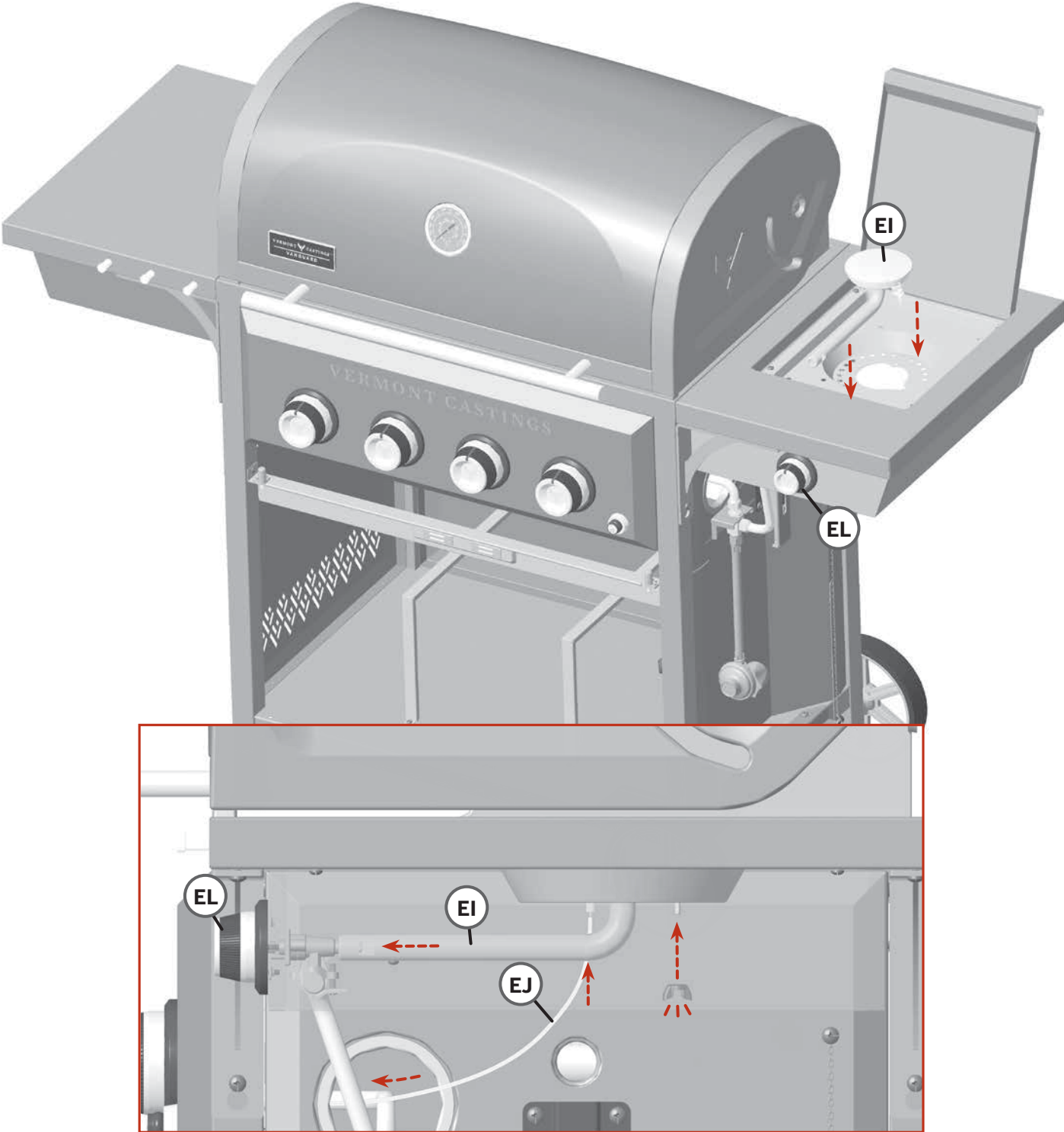
STEP 13F



BUILD IT

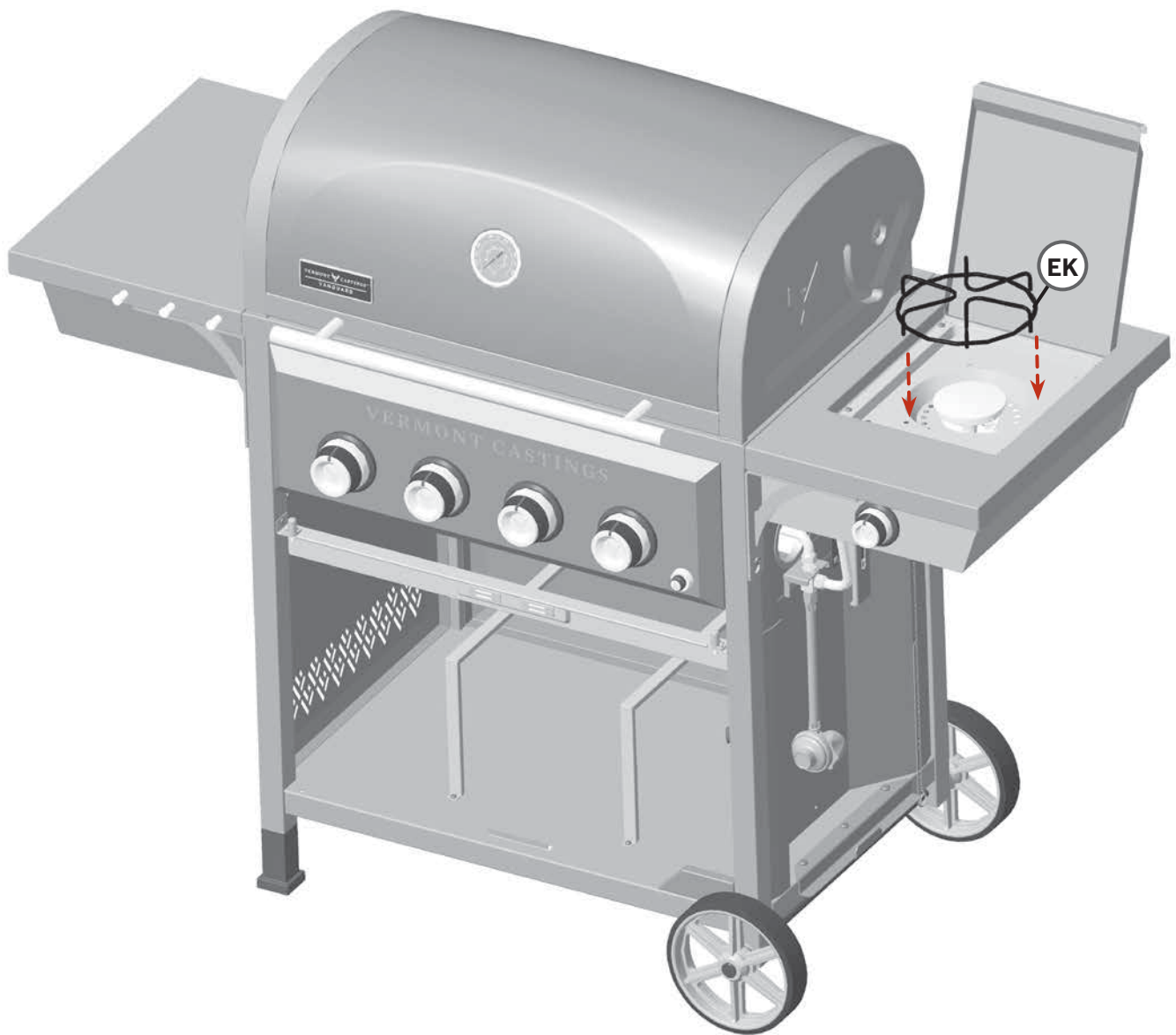
BUILD IT

STEP 13G



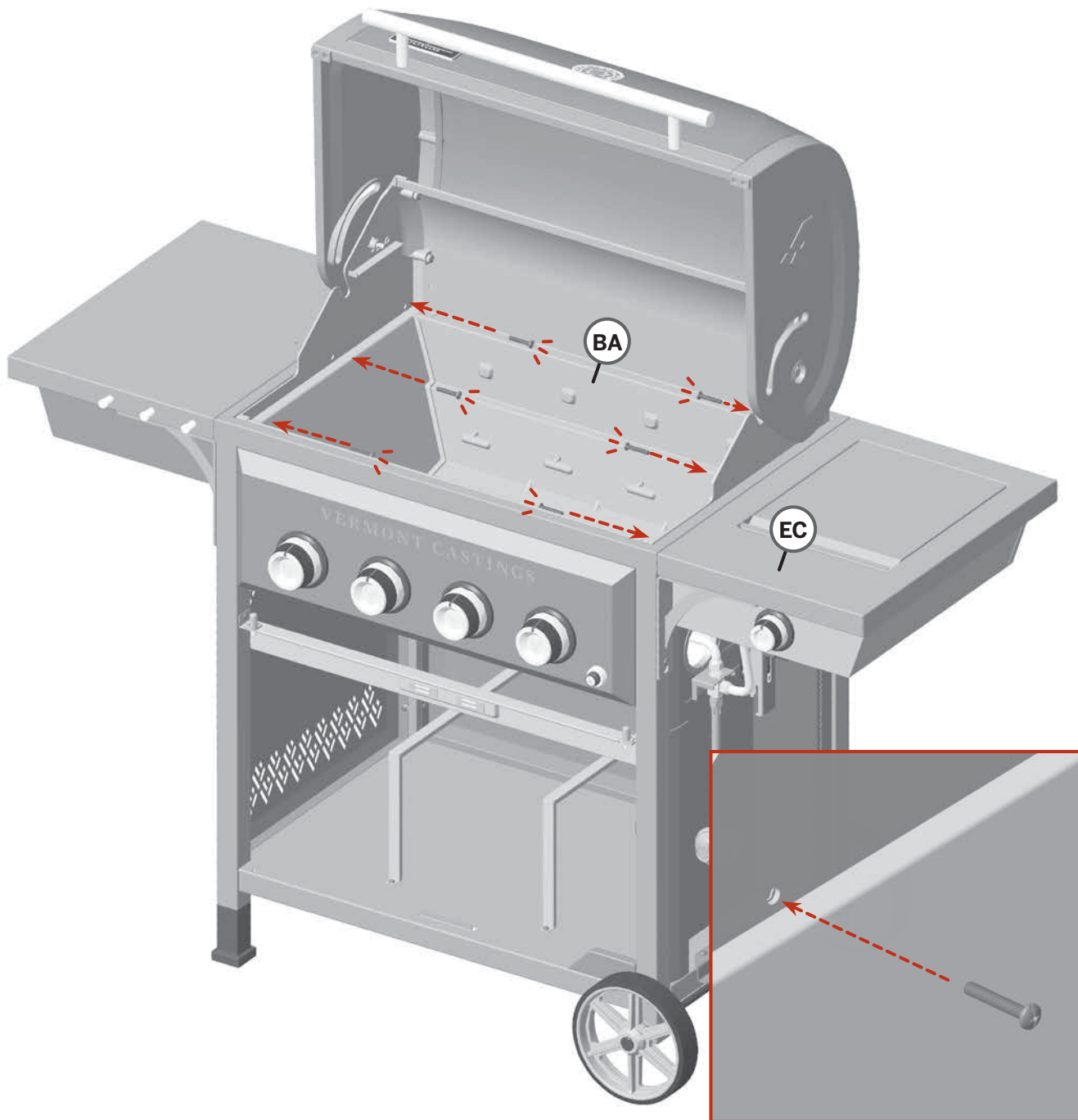
BUILD IT

STEP 13H



BUILD IT

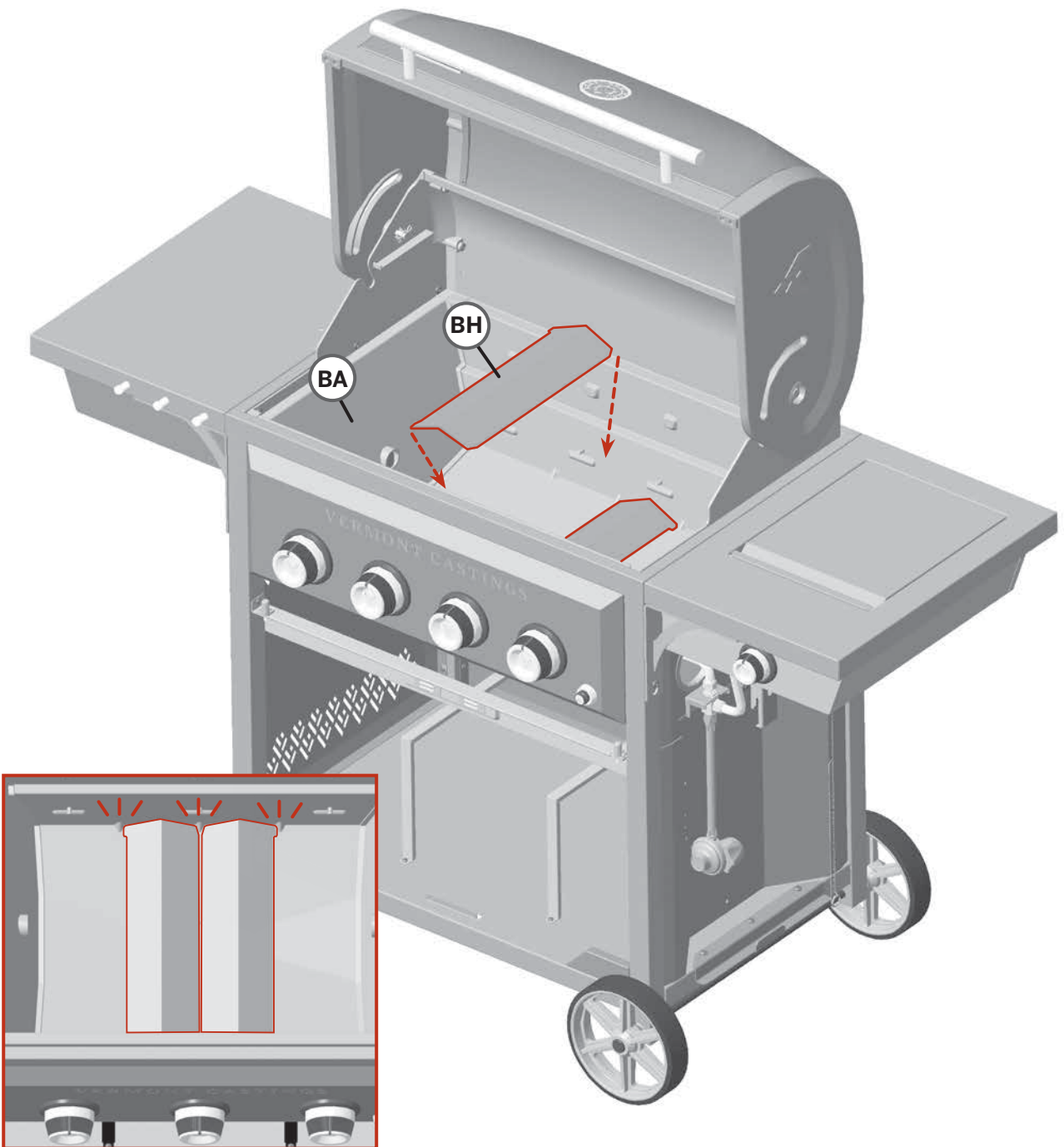
STEP 14



BUILD IT

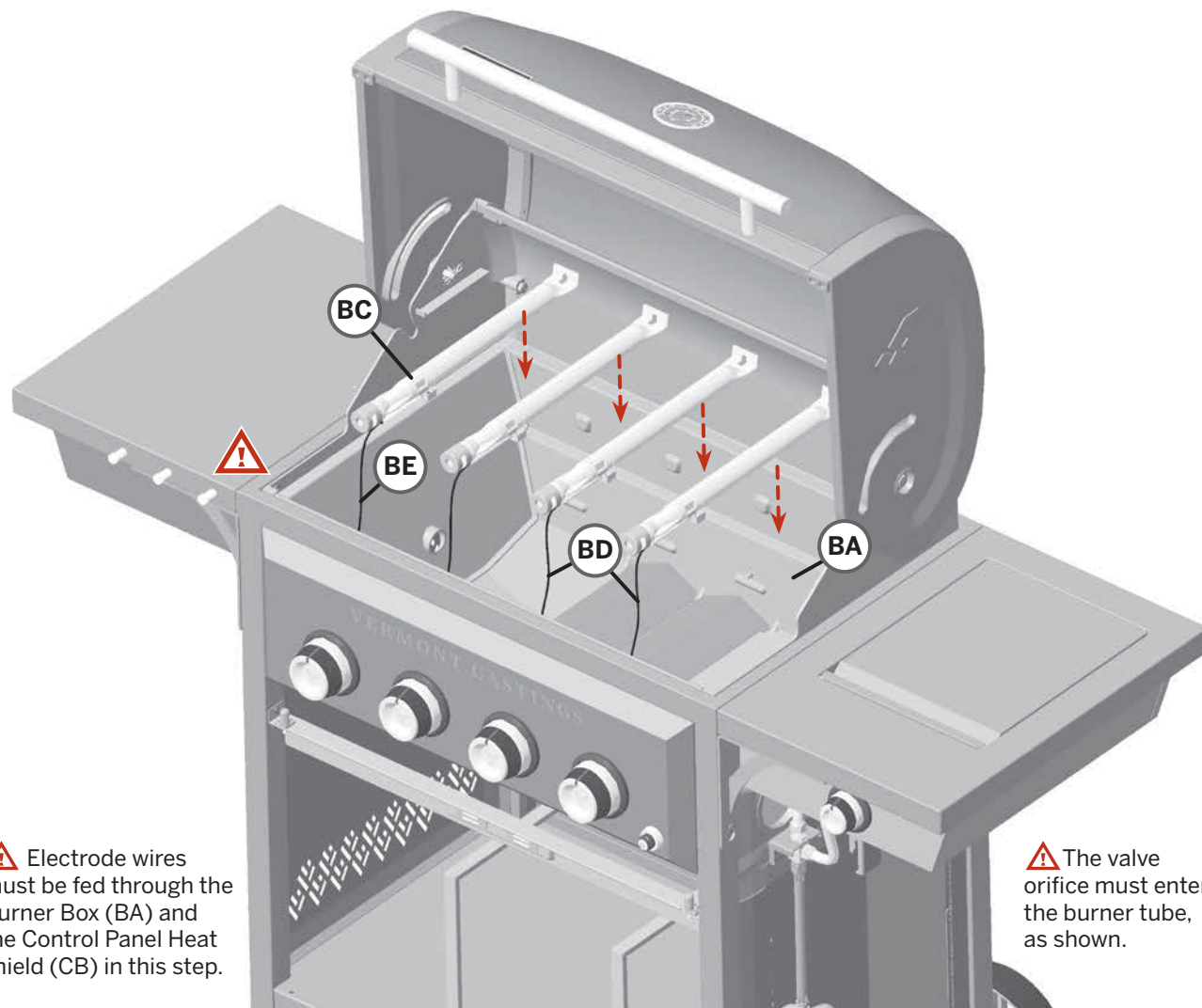
BUILD IT

STEP 15



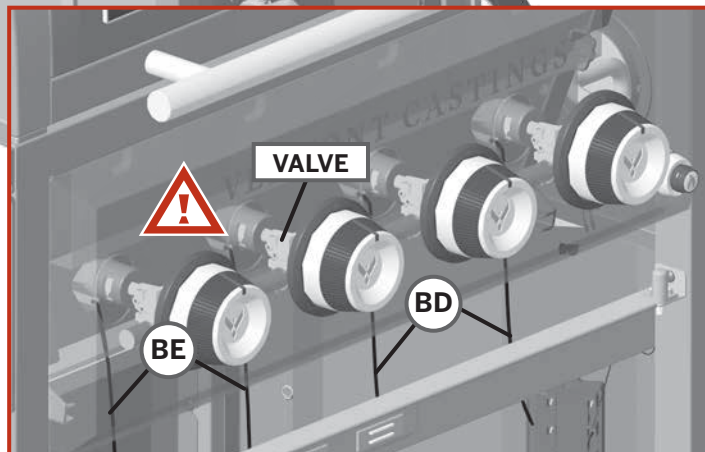
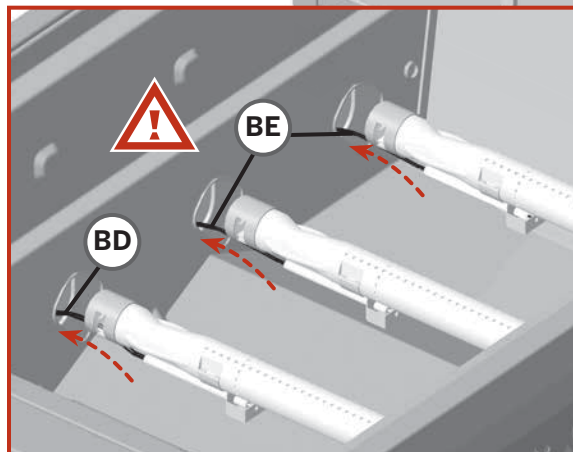
BUILD IT

STEP 16A



⚠ Electrode wires must be fed through the Burner Box (BA) and the Control Panel Heat shield (CB) in this step.

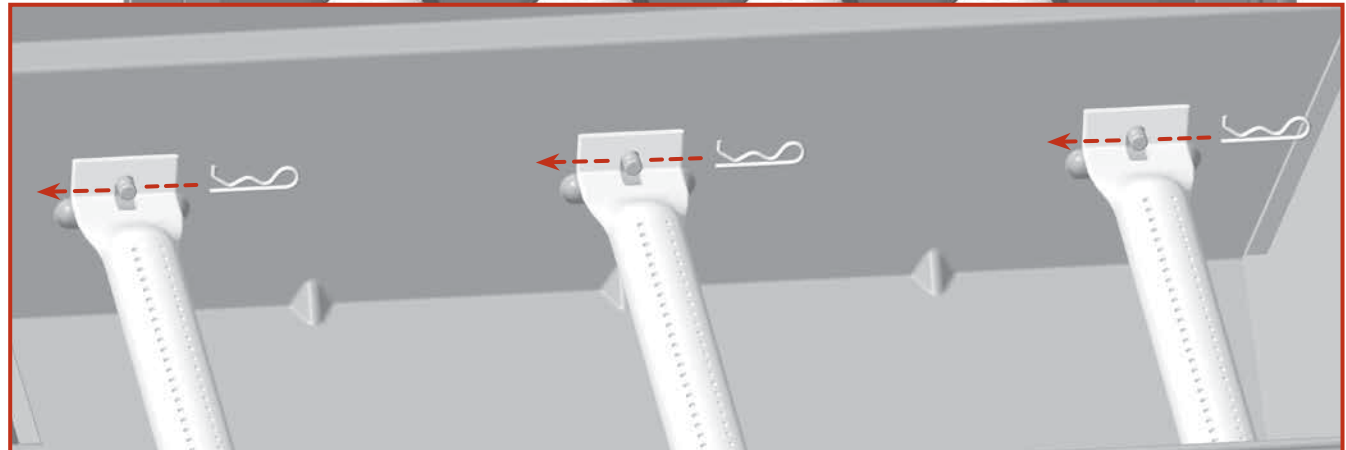
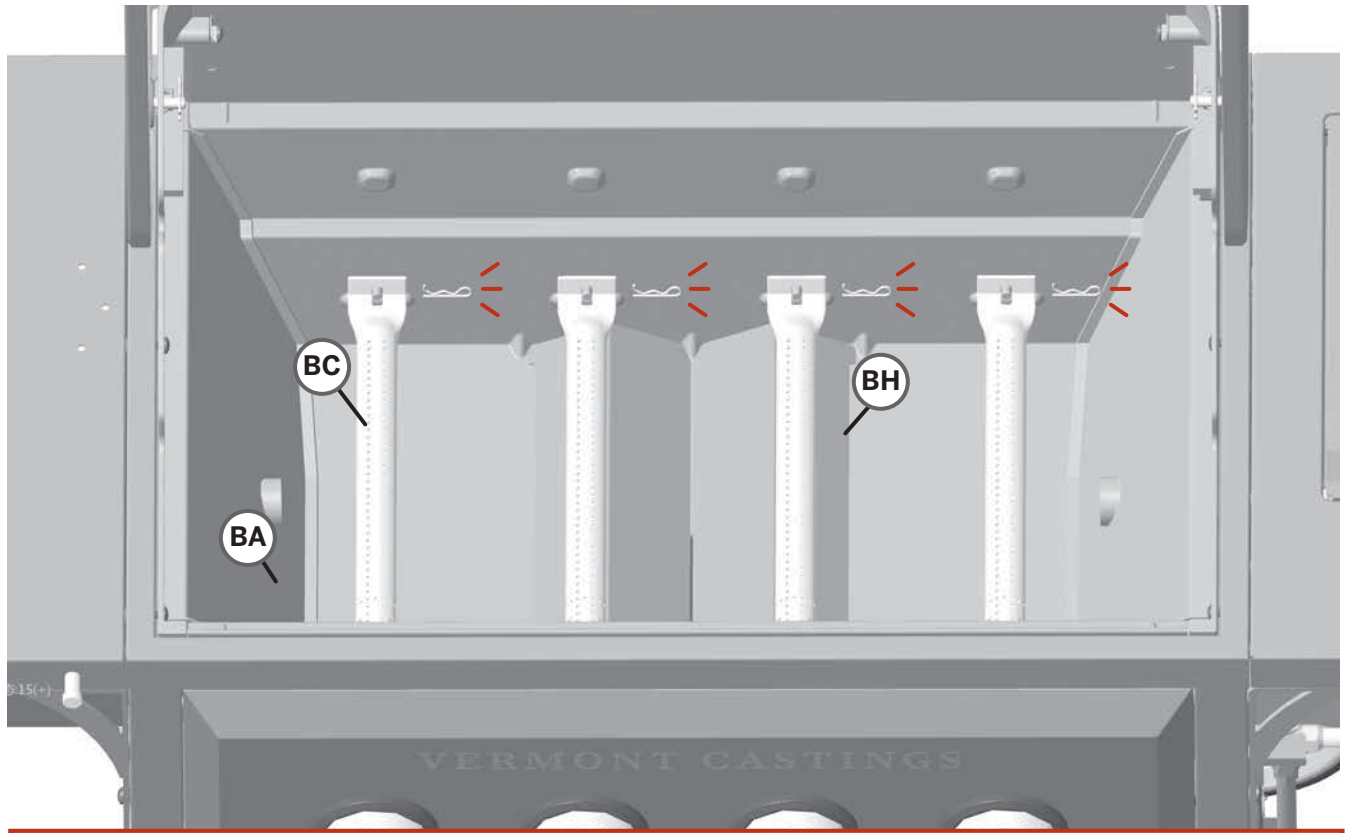
⚠ The valve orifice must enter the burner tube, as shown.



BUILD IT

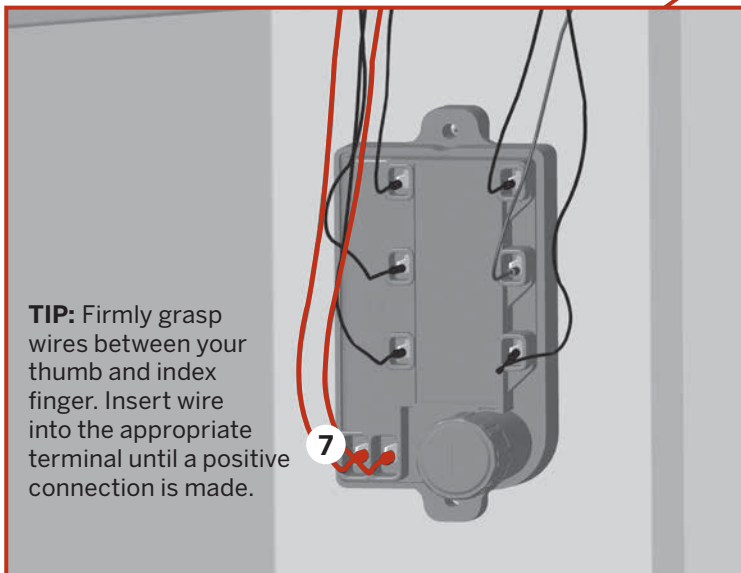
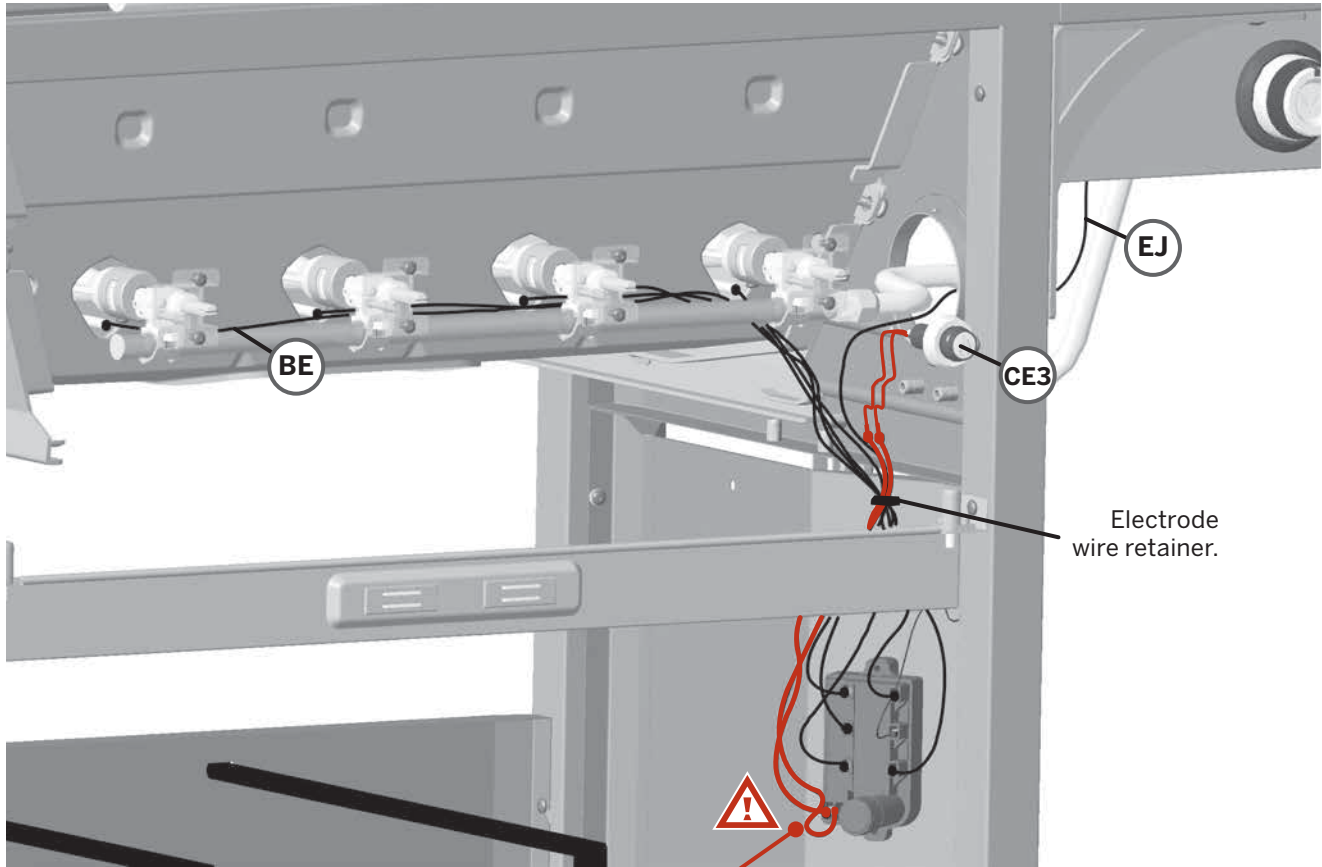
STEP 16B

8 x4



BUILD IT

STEP 16C




TIP: Firmly grasp wires between your thumb and index finger. Insert wire into the appropriate terminal until a positive connection is made.



PORT 1-6 are interchangeable.

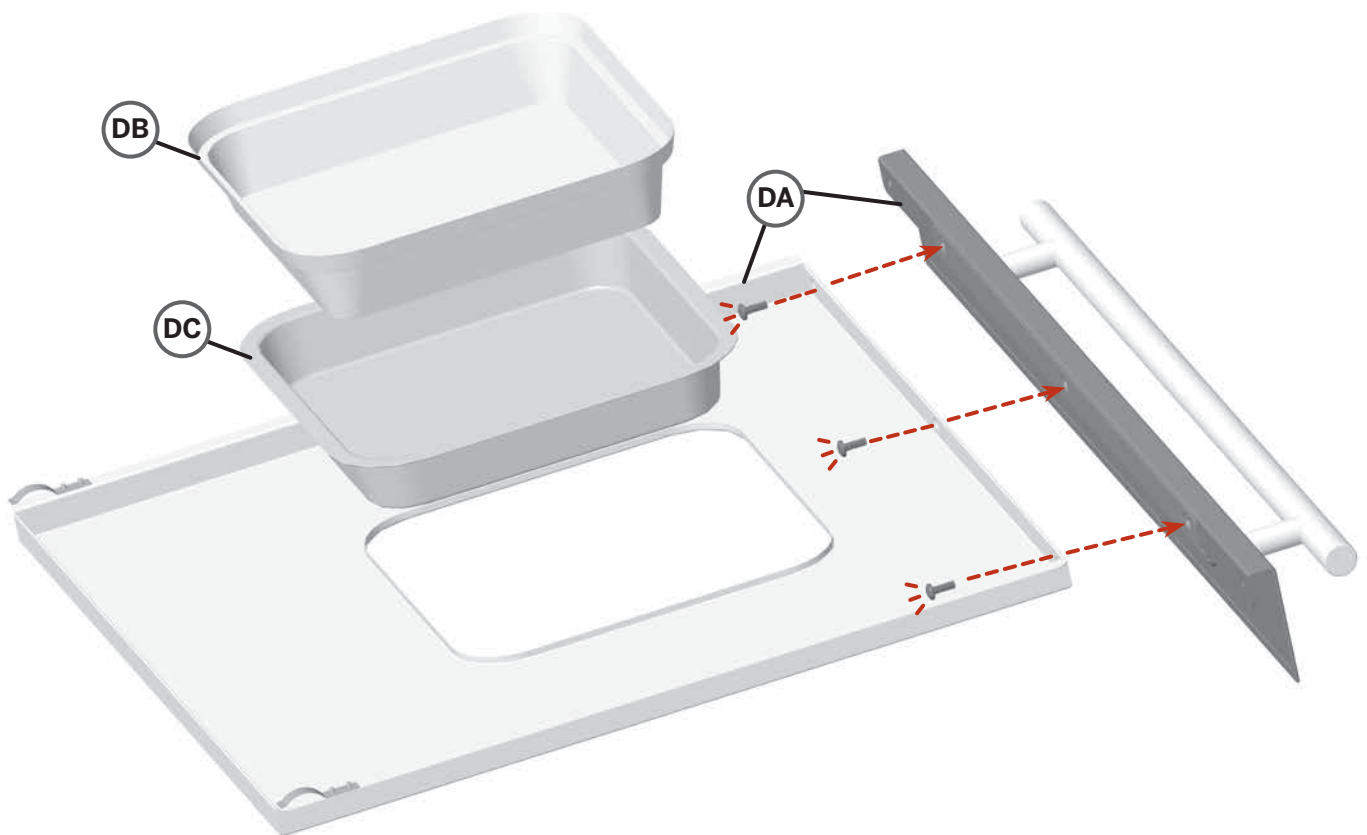
1,2,3, 4,5,6 Main Electrodes, Ground Wire, Side Burner Electrodes

7 Ignition switch 

BUILD IT

BUILD IT

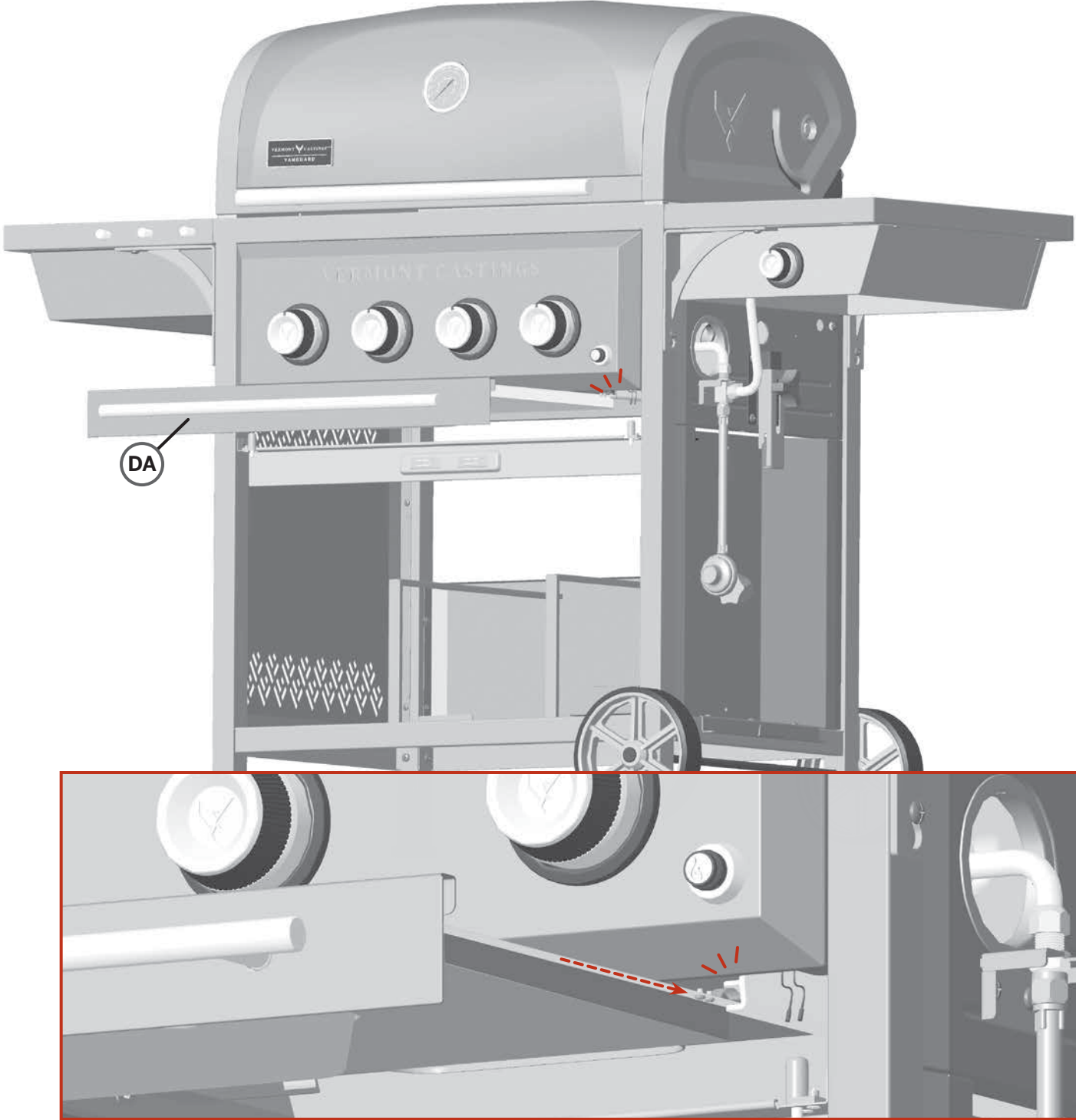
STEP 17A



BUILD IT

STEP 17B

BUILD IT



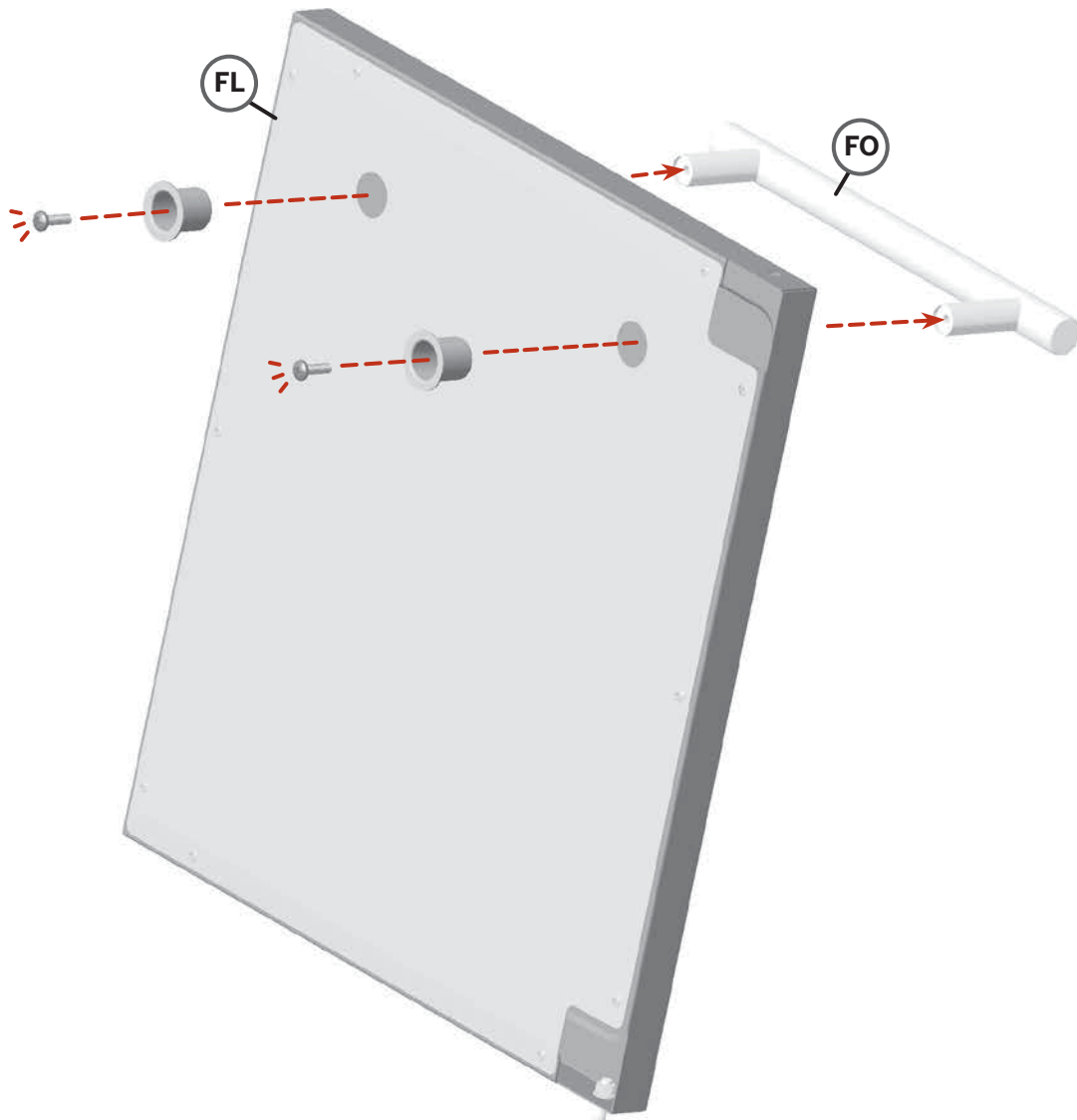
BUILD IT

STEP 18A

10 x2

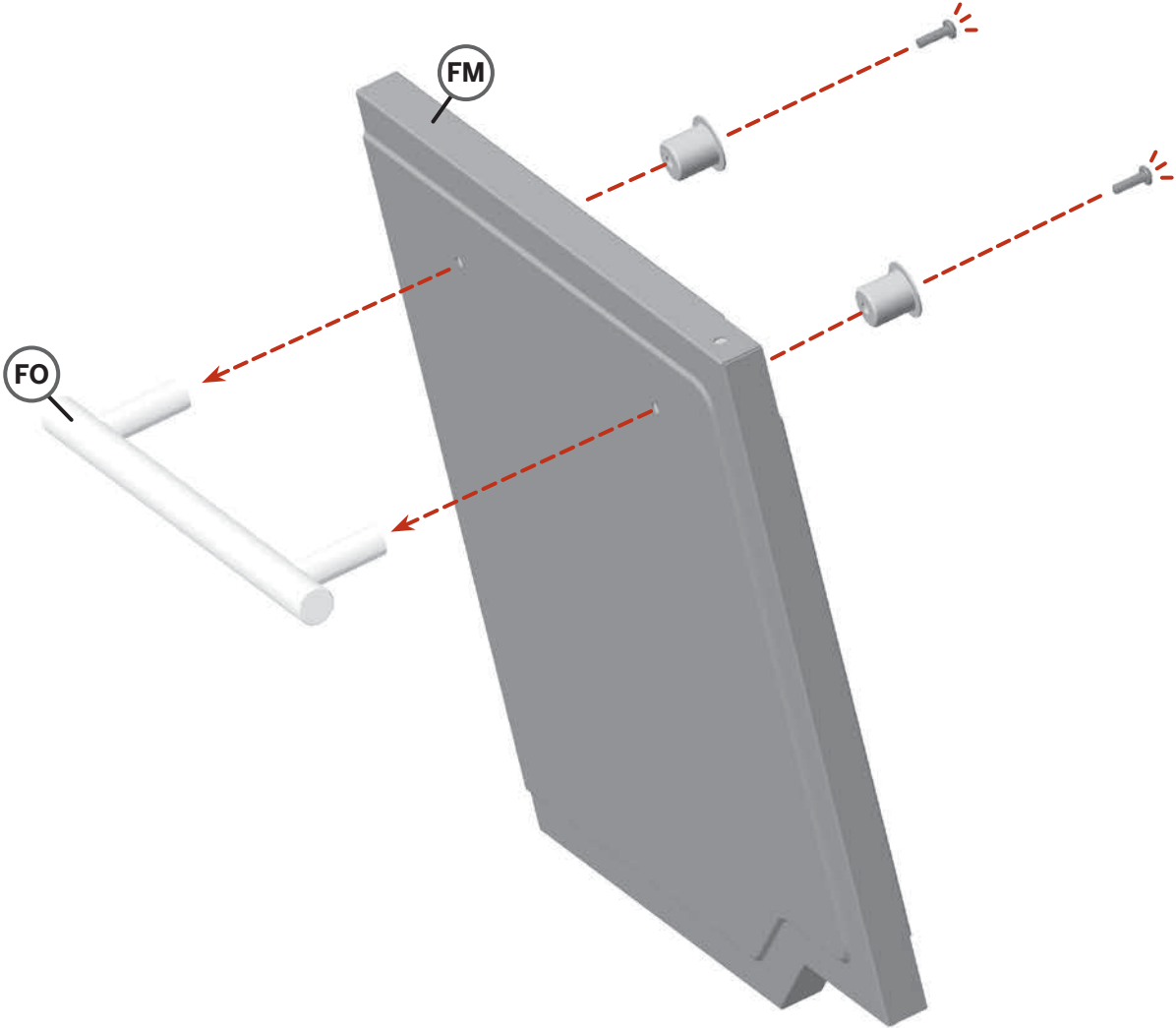
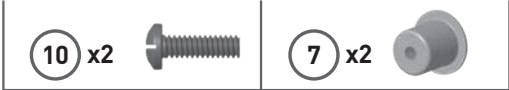


7 x2



BUILD IT

STEP 18B

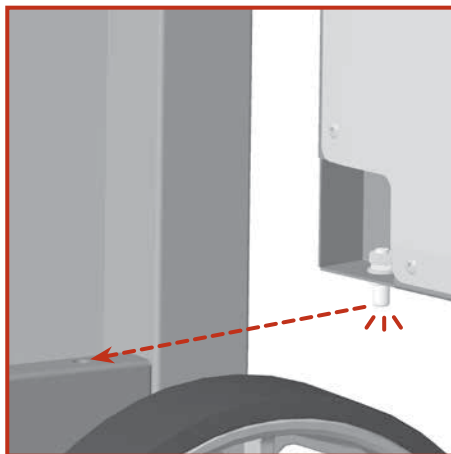
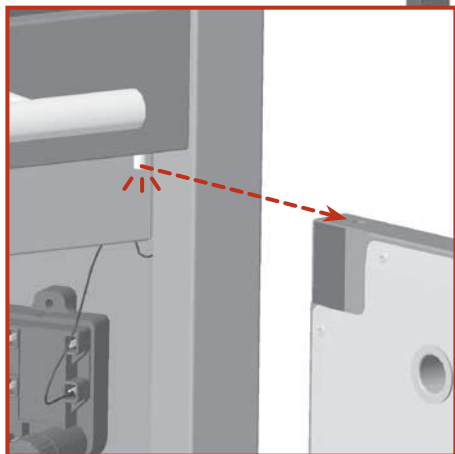
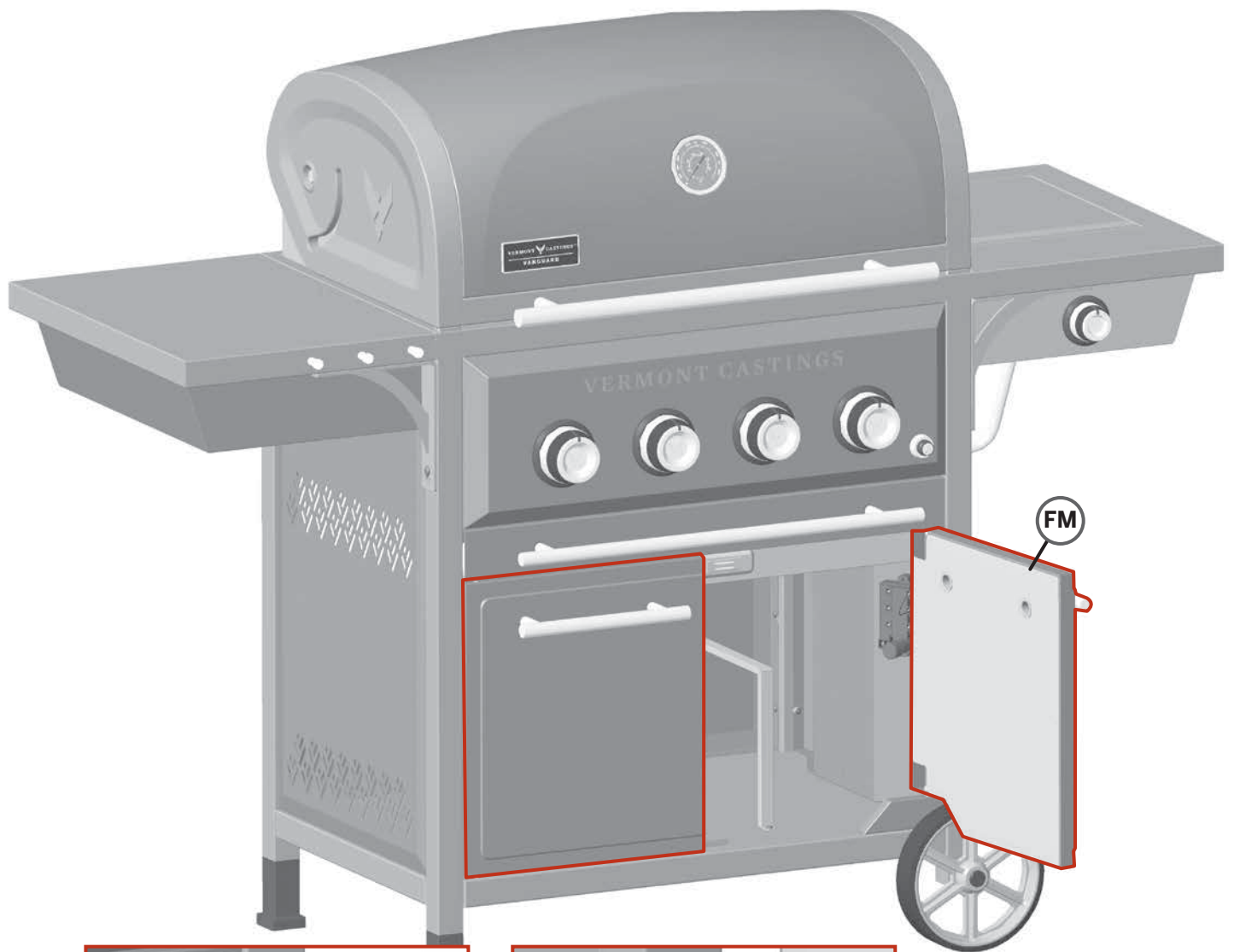


BUILD IT

BUILD IT

STEP 19

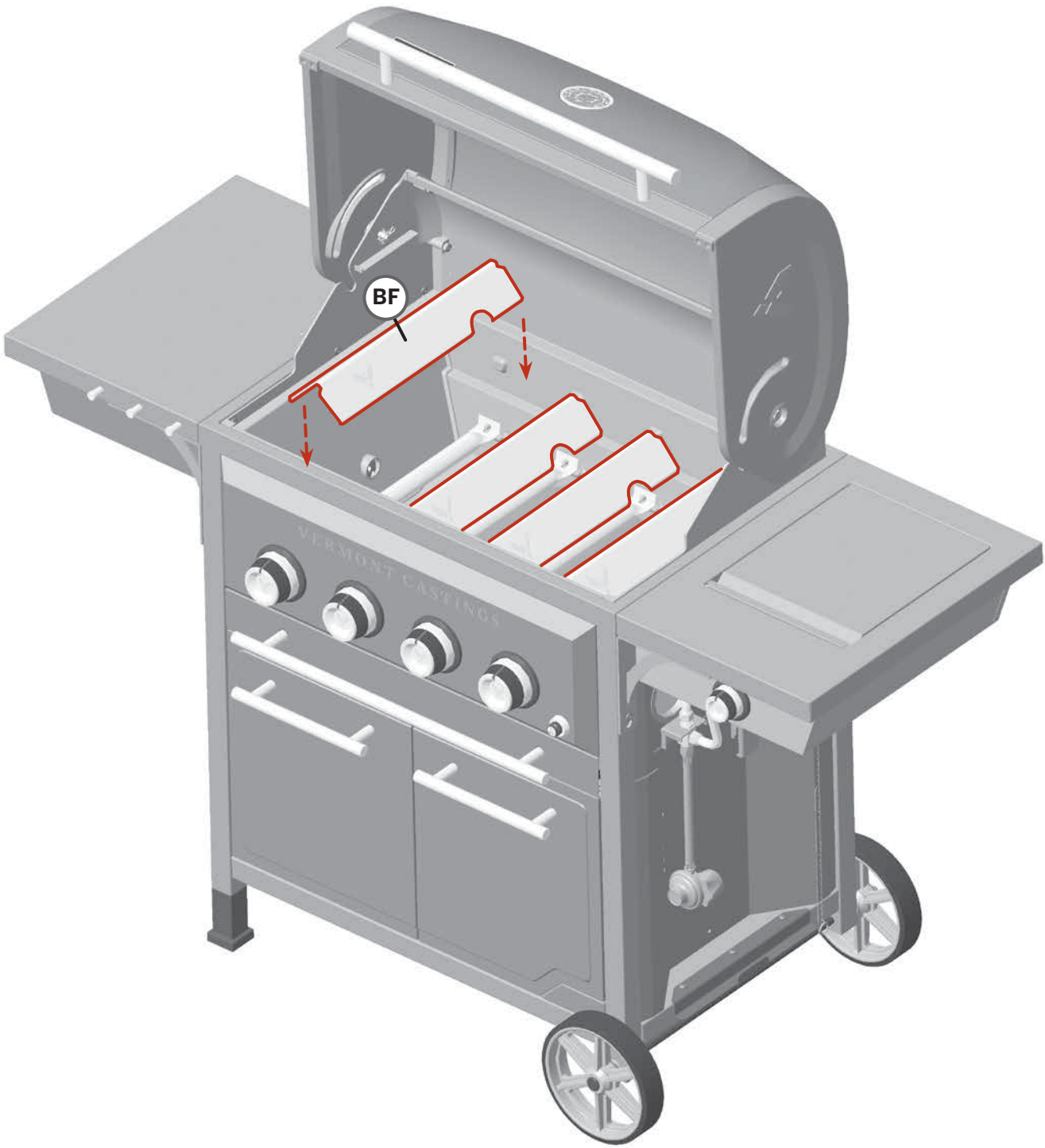
BUILD IT



BUILD IT

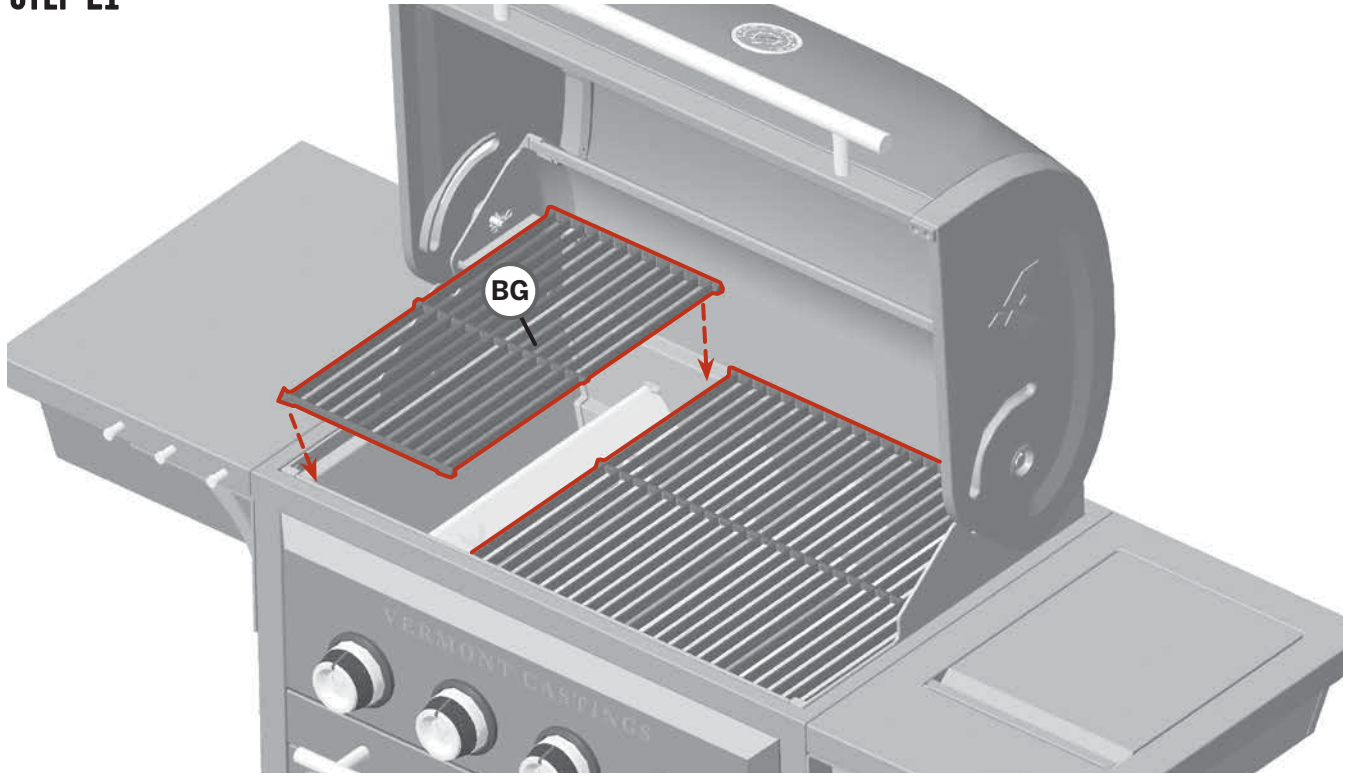
STEP 20

BUILD IT

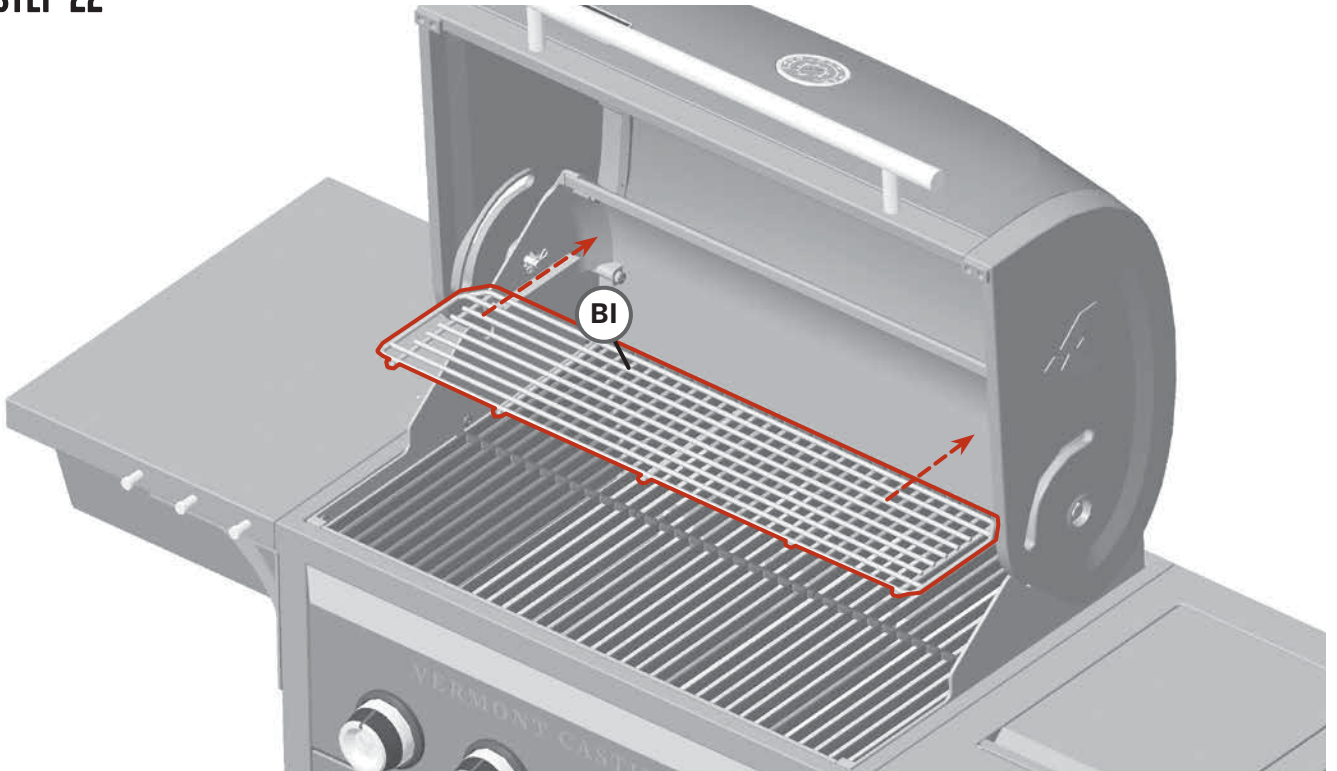


BUILD IT

STEP 21



STEP 22



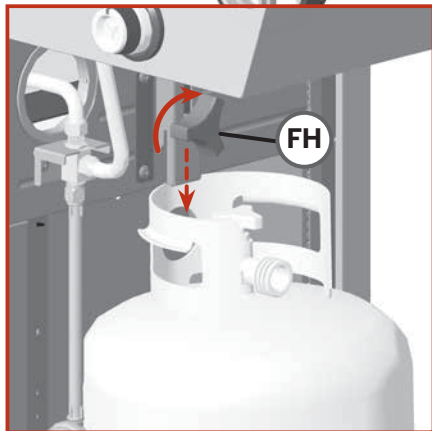
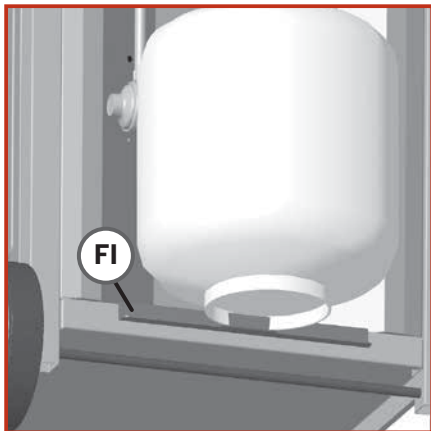
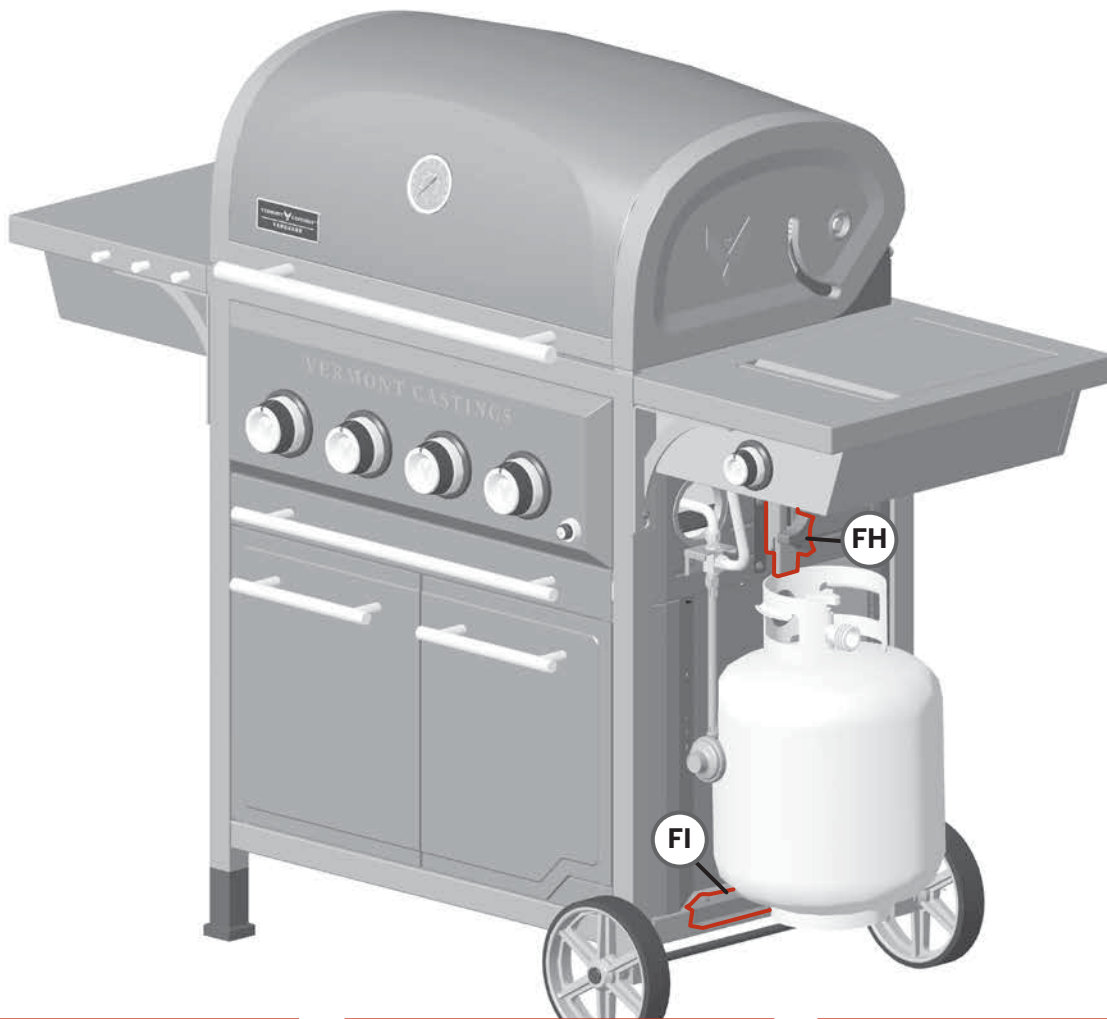
BUILD IT

STEP 23



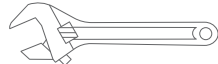
NATURAL GAS CONVERSION CUSTOMERS
PROCEED TO STEP 24.

BUILD IT



BUILD IT

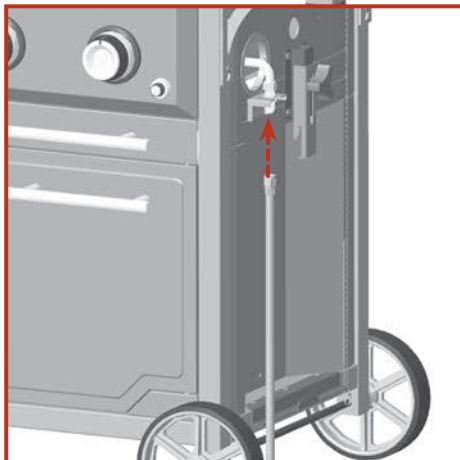
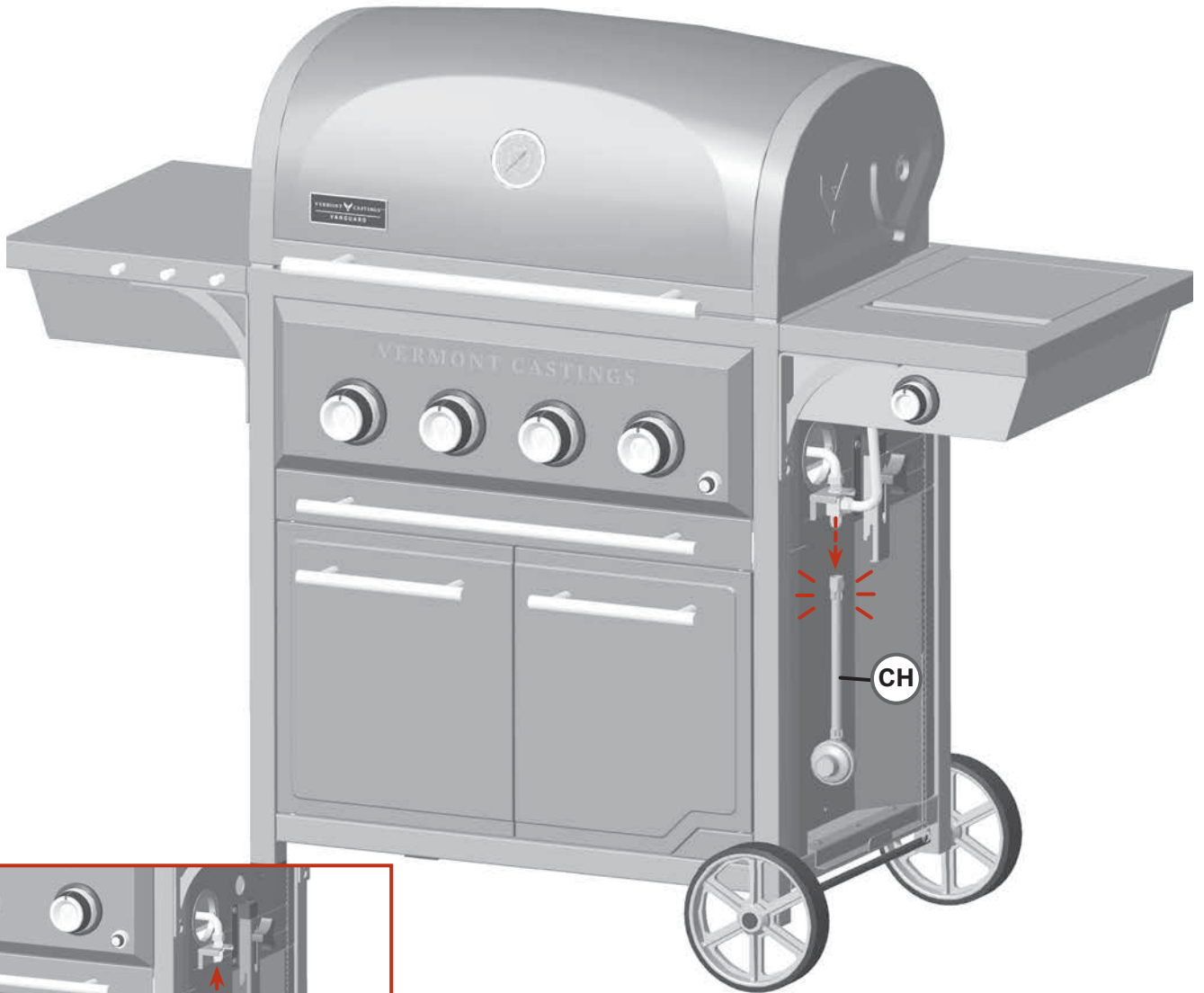
STEP 24



Wrench

NATURAL GAS CONVERSION CUSTOMERS ONLY.

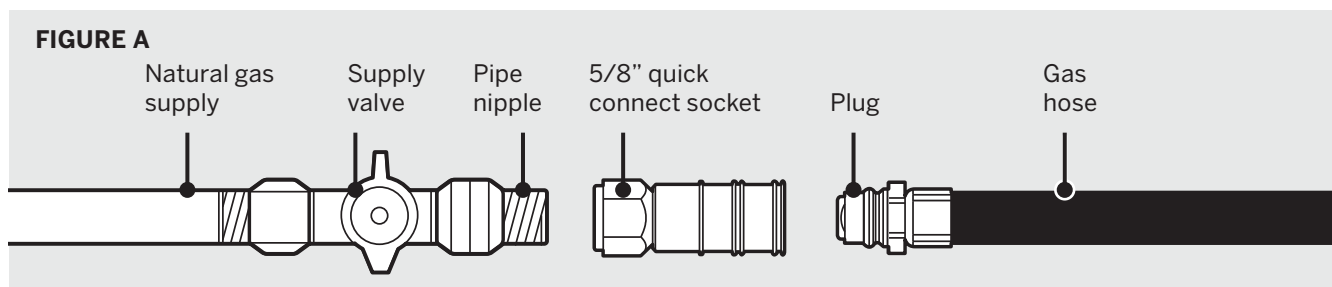
You will need the natural gas hose included with the **Convertible Valve System Kit (Model 085-2261-4)** in this step. See **Step 9A** in manual included with this kit.



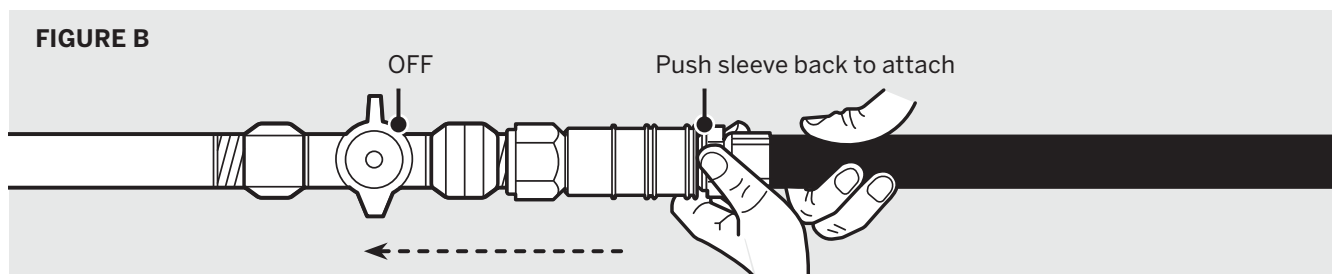
BUILD IT

STEP 25 CONNECTING YOUR BARBECUE TO THE NATURAL GAS SOURCE.

Coat pipe nipple with gas-resistant teflon tape or pipe dope. Tighten quick-disconnect coupling onto pipe nipple (FIGURE A).



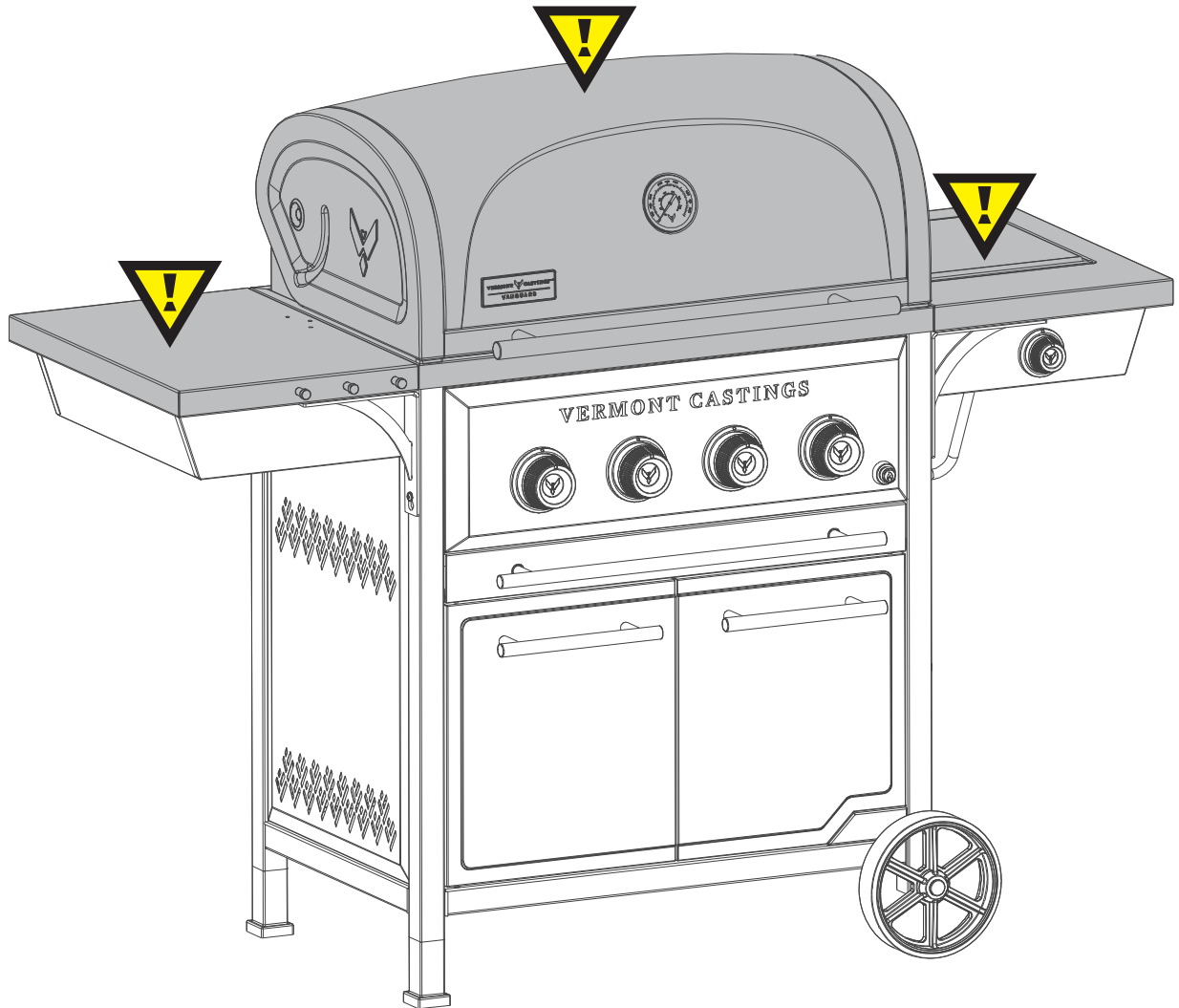
With the natural gas supply valve "OFF", connect the natural gas hose to the quick connect socket. Push the sleeve back on the quick connect socket (FIGURE B) and insert the plug until the sleeve snaps forward, locking the plug into the quick connect socket. Be sure to leak test these connections prior to use.



⚠ FIRE HAZARD—Do not route the natural gas hose inside of the barbecue cart.

BUILD IT

 **WARNING!**
HOT SURFACES.

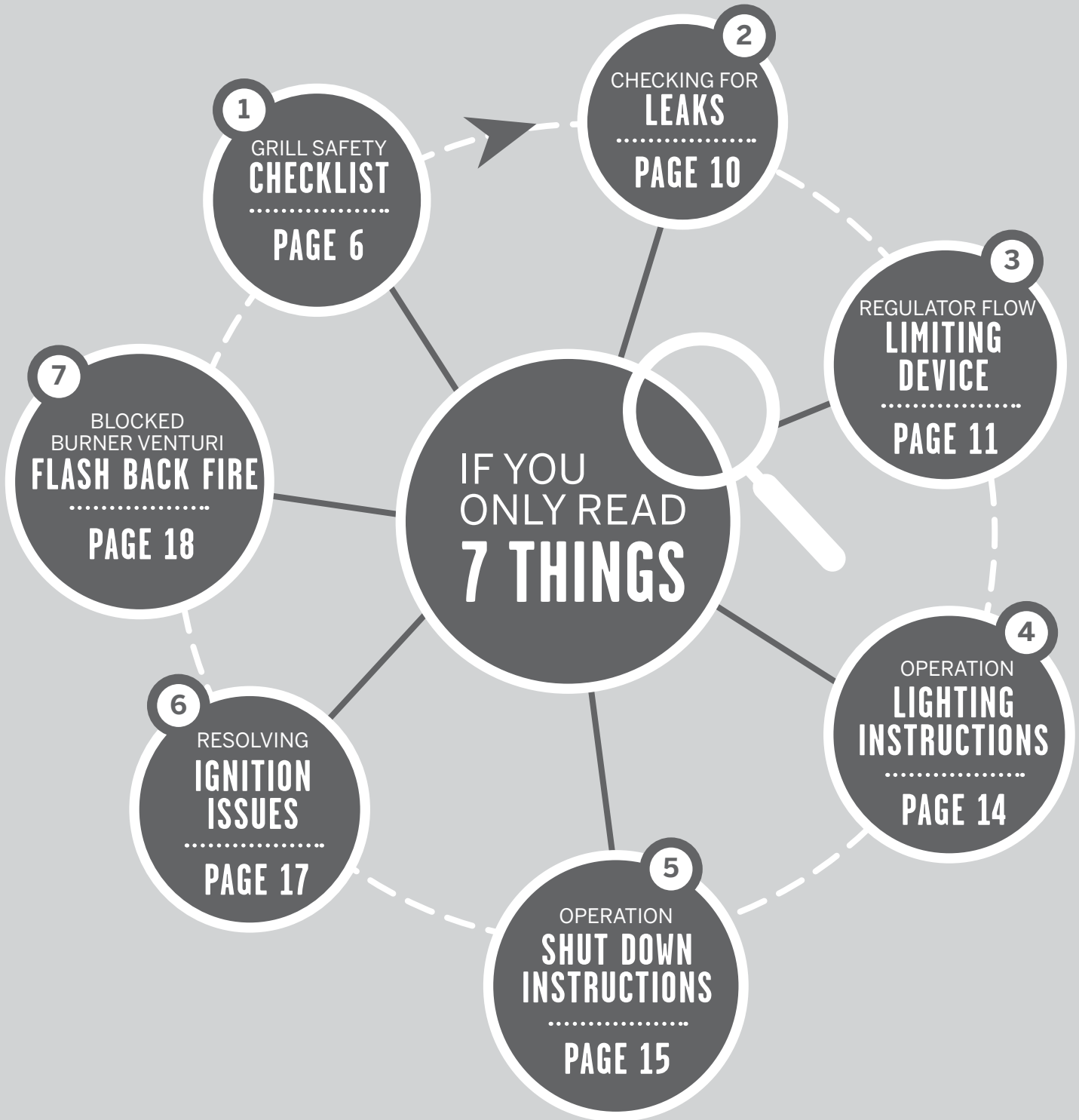


WARNING: EXTERIOR SURFACES WILL BECOME VERY HOT. TO PREVENT BURNS, ALWAYS WEAR INSULATED PROTECTIVE BARBECUE GLOVES WHEN USING THE BARBECUE.

- KEEP AWAY FROM COMBUSTIBLE MATERIALS.
- KEEP CHILDREN AND PETS AWAY FROM THIS GAS-FIRED BARBECUE.
- AVOID DANGEROUS FIRES: DO NOT LEAVE YOUR BARBECUE UNATTENDED WHILE IN OPERATION.

BEFORE YOU BEGIN

DON'T TAKE RISKS, READ THE USER MANUAL.
KNOWING HOW YOUR BARBECUE WORKS IS KEY TO USING IT SAFELY.

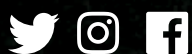


NOTES

NOTES



**VERMONT
CASTINGSTM_{MC}**



CONTACT US 1-844-586-4660
WWW.VERMONTCASTINGSBBQ.COM